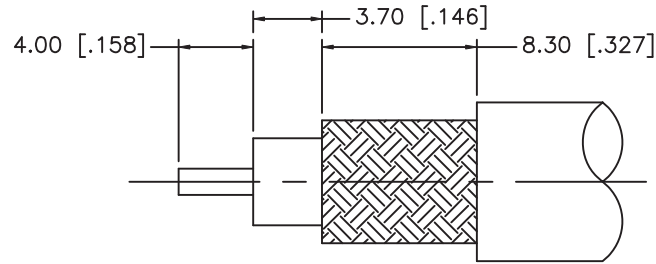
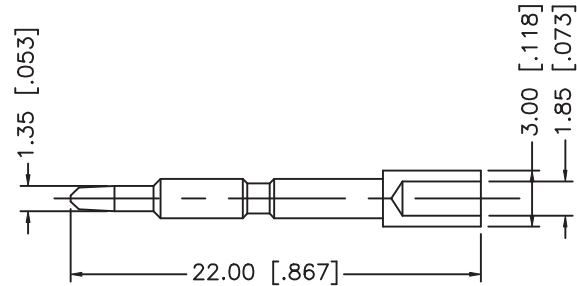
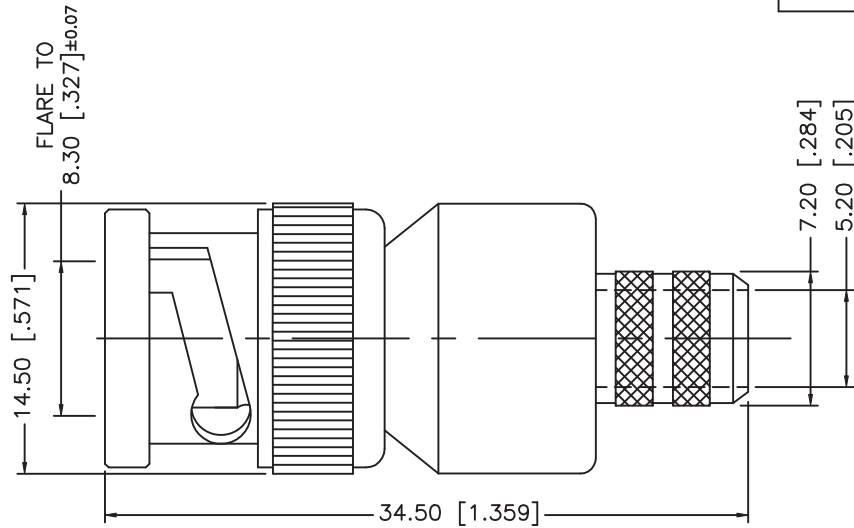
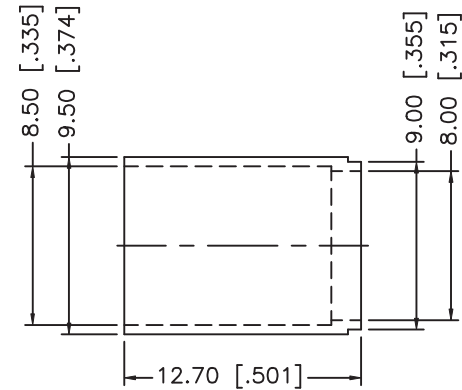


REV.	DATE	DESCRIPTION
NC	05/15/02	INITIAL RELEASE



RECOMMENDED CABLE STRIPPING DIMENSIONS



CRIMP NOTES:

1. CRIMPED FERRULE
HEX CRIMP SIZE .324"
2. CRIMPED CONTACT PIN
HEX CRIMP SIZE .100"

8			
7			
6			
5			
4	FERRULE	BRASS	NICKEL
3	CONTACT PIN	BER. COPPER	GOLD
2	INSULATOR	TEFLON	NATURAL
1	BODY	BRASS	NICKEL
	DESCRIPTION	MATERIAL	FINISH

UNLESS OTHERWISE SPECIFIED
DIMENSIONS ARE IN MILLIMETERS

DIMENSIONS IN []
ARE IN INCHES FOR
CUSTOMER REFERENCE ONLY

UNLESS OTHERWISE SPECIFIED
TOLERANCES FOR INCHES ARE:

.XXX = ± 0.005"
.XX = ± 0.010"
.X = ± 0.020"

DO NOT SCALE DRAWING

APPROVALS	DATE
DRAWN G.R.S.	05/15/02
CHECKED	
ISSUED	

Amphenol - Connex CONNECTOR CORPORATION			
TITLE BNC CRIMP PLUG (FOR TIMES LMR-300)			
SIZE A	FSCM NO. 99001	DWG. NO. 112700.DWG	REV. NC
SCALE NA	PART NO. 112700	SHEET 1 OF 1	