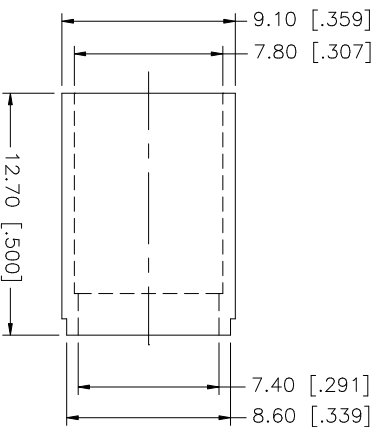
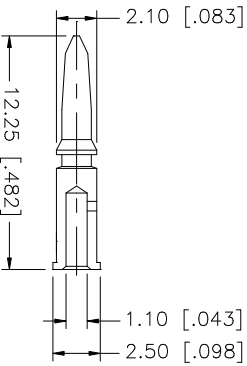
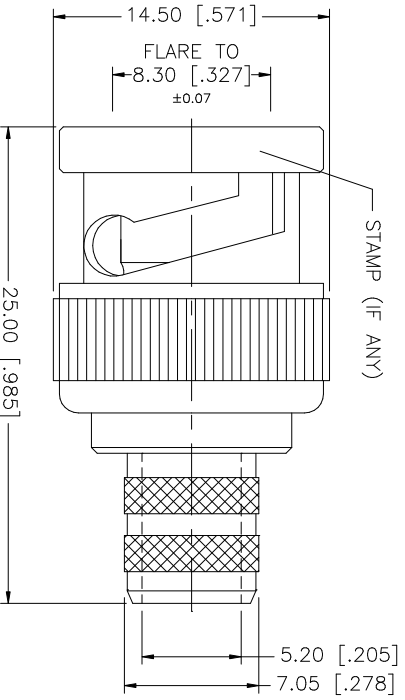
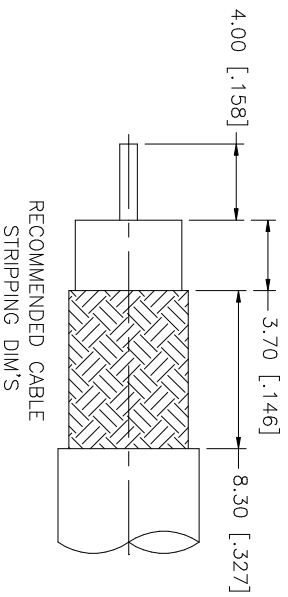


REV.	DATE	DESCRIPTION
A	04/05/03	UPDATE DRAWING FORMAT
B	02/21/06	UPDATE PART DESCRIPTION - ADD "1694A"



CRIMP NOTES:

1. CRIMPED FERRULE - HEX CRIMP SIZE .320".
2. CRIMPED CONTACT PIN - HEX CRIMP SIZE .068".

QTY	FINISH	MATERIAL	DESCRIPTION
1	NICKEL	BRASS	SHELL/BODY
1	GOLD	BRASS	CONTACT PIN
1	NATURAL	DELRIN	INSULATOR
1	RED	RUBBER	GASKET
1	NICKEL	COPPER	FERRULE

APPROVALS	DATE
DRAWN G.R.S.	02/21/06
CHECKED	
ISSUED	
SHEET 1 OF 1	

UNLESS OTHERWISE SPECIFIED DIMENSIONS ARE INCHES AND FOR CUSTOMER REFERENCE ONLY.
TOLERANCES FOR MILLIMETERS ARE: 0.5 - 8mm ± 0.20mm 8 - 30mm ± 0.40mm 30 - 120mm ± 0.50mm
UNLESS OTHERWISE SPECIFIED DIMENSIONS FOR INCHES ARE: .020 - .315 = ± 0.007" .315 - 1.180 = ± 0.015" 1.180 - 4.724 = ± 0.020"

DO NOT SCALE DRAWING
CAD FILE C:/112/112565.DWG

PART DESCRIPTION	PART NO.	DWG. NO.	REV.	SIZE	SCALE
Amphenol Connex BNC CRIMP PLUG (FOR BELDEN 9248, 1694A RG-6/U TYPE)	112565	112565.DWG	B	A	NA