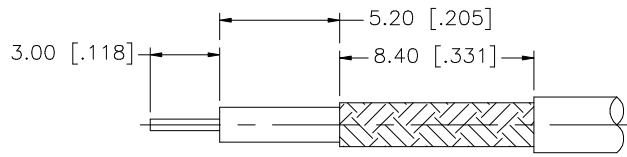
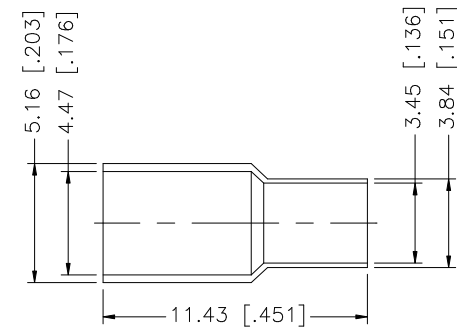
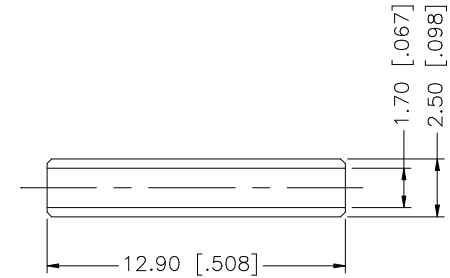
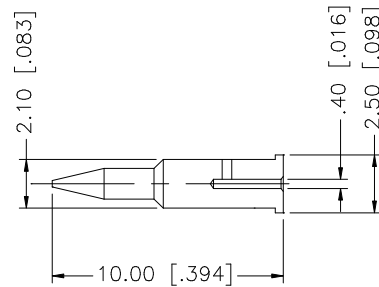
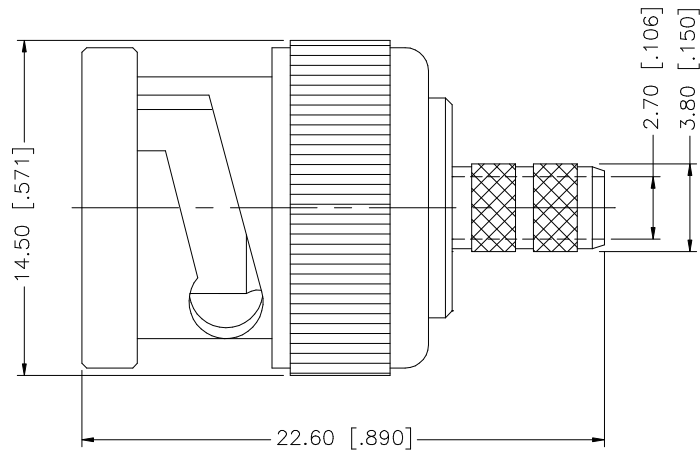


REV.	DATE	DESCRIPTION
NC	11/08/99	INITIAL RELEASE
A	10/01/06	UPDATE DRAWING FORMAT



RECOMMENDED
CABLE STRIPPING DIM'S



QTY	FINISH	MATERIAL	DESCRIPTION
1	NICKEL	BRASS	BODY
1	NATURAL	DELTRIN	INSULATOR
1	GOLD	BER. COPPER	CONTACT PIN
1	NICKEL	COPPER	FERRULE

UNLESS OTHERWISE SPECIFIED DIMENSIONS ARE IN MILLIMETERS. DIMENSIONS IN [] ARE IN INCHES AND FOR CUSTOMER REFERENCE ONLY.

UNLESS OTHERWISE SPECIFIED TOLERANCES FOR MILLIMETERS ARE:
0.5 - 8mm ± 0.20mm
8 - 30mm ± 0.40mm
30 - 120mm ± 0.50mm

UNLESS OTHERWISE SPECIFIED TOLERANCES FOR INCHES ARE:
.020 - .315 = ± 0.007"
.315 - 1.180 = ± 0.015"
1.180 - 4.724 = ± 0.020"

DO NOT SCALE DRAWING

APPROVALS	DATE
DRAWN G.R.S.	10/01/06
CHECKED	
ISSUED	
SHEET 1 OF 1	
CAD FILE C:/112/112644.DWG	

Amphenol Connex

BNC CRIMP PLUG
(FOR RG-179/U DOUBLE BRAID CABLE)

PART DESCRIPTION

PART NO.

112644

DWG. NO.

112644.DWG

REV. A

SIZE A

SCALE NA