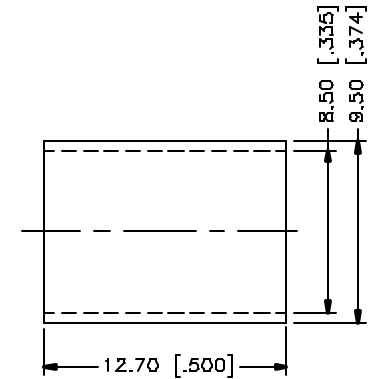
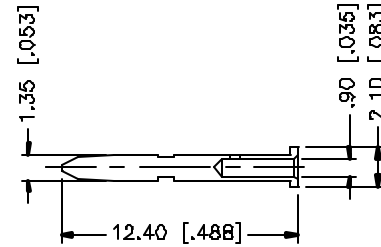
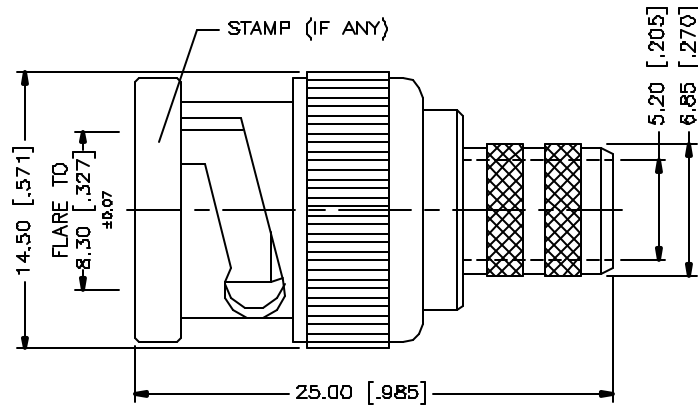
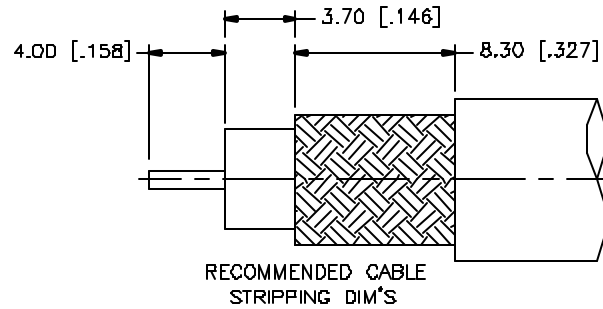


REV.	DATE	DESCRIPTION
A	5/1/04	UPDATE DRAWING FORMAT



CRIMP NOTES:

1. CRIMPED FERRULE
HEX CRIMP SIZE .324"
2. CRIMPED CONTACT PIN
SQ. CRIMP SIZE .043"

8					<small>UNLESS OTHERWISE SPECIFIED DIMENSIONS ARE IN MILLIMETERS. DIMENSIONS IN [] ARE IN INCHES AND FOR CUSTOMER REFERENCE ONLY.</small> <small>UNLESS OTHERWISE SPECIFIED TOLERANCES FOR MILLIMETERS ARE: 0.5 - 8mm ± 0.20mm 8 - 30mm ± 0.40mm 30 - 120mm ± 0.50mm</small> <small>UNLESS OTHERWISE SPECIFIED TOLERANCES FOR INCHES ARE: .020 - .315 = ± 0.007" .315 - 1.180 = ± 0.015" 1.180 - 4.724 = ± 0.020"</small>	APPROVALS	DATE	<h1 style="color: blue;">Amphenol Connex</h1>			
7				DRAWN		G.R.S.	05/01/04				
6						CHECKED		PART DESCRIPTION BNC CRIMP PLUG (FOR BELDEN 8281 CABLE)			
5						ISSUED					
4	FERRULE	COPPER	NICKEL	1		SHEET	1 OF 1				
3	CONTACT PIN	BRASS	GOLD	1			DWG. NO. 112953.DWG REV. A SIZE A SCALE NA				
2	INSULATOR	TEFLON	NATURAL	1	CAD FILE						C:/112/112953.DWG
1	SHELL/BODY	BRASS	NICKEL	1	DO NOT SCALE DRAWING						