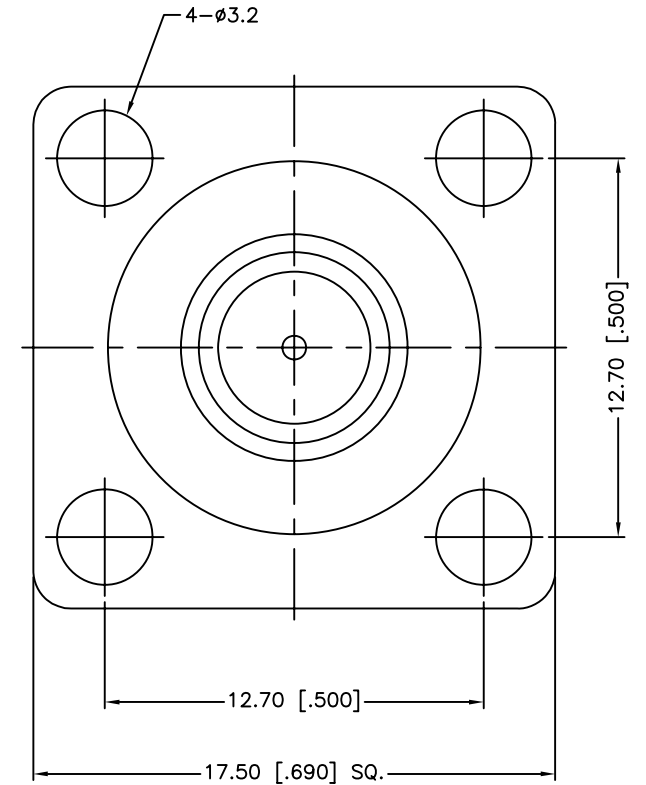
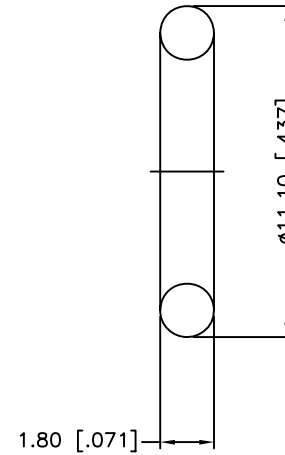
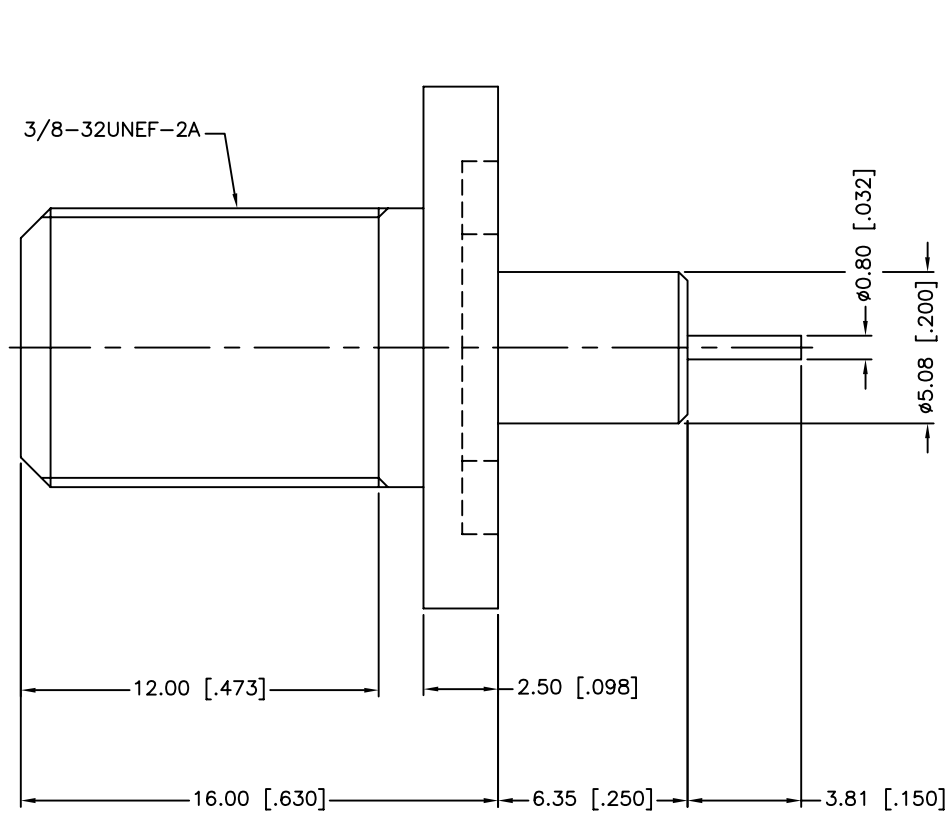


| REV. | DATE | ECR NO. | DESCRIPTION |
|------|----------|---------|-----------------|
| NC | 10/16/09 | XXXXXX | INITIAL RELEASE |



CENTER CONTACT TO ACCEPT $\phi 0.022$ TO $\phi 0.042$ PIN [$\phi 0.56$ TO $\phi 1.07$]

| QTY | FINISH | MATERIAL | DESCRIPTION |
|-----|------------|----------|-------------|
| 1 | NICKEL | BRASS | LOCK RING |
| 1 | RED | SILICONE | GASKET |
| 1 | NATURAL | PTFE | INSULATOR |
| 1 | BRIGHT TIN | BRASS | CONTACT PIN |
| 1 | NATURAL | PTFE | INSULATOR |
| 1 | NICKEL | BRASS | BODY |

| UNLESS OTHERWISE SPECIFIED DIMENSIONS ARE IN MILLIMETERS. DIMENSIONS IN [] ARE IN INCHES AND FOR CUSTOMER REFERENCE ONLY. | | APPROVALS | DATE |
|---|--|-------------------------------|----------|
| UNLESS OTHERWISE SPECIFIED TOLERANCES FOR MILLIMETERS ARE: 0.5 - 8mm ± 0.20 mm 8 - 30mm ± 0.40 mm 30 - 120mm ± 0.50 mm | | DRAWN M.ZHANG | 10/16/09 |
| UNLESS OTHERWISE SPECIFIED TOLERANCES FOR INCHES ARE: .020 - .315 = ± 0.007 " .315 - 1.180 = ± 0.015 " 1.180 - 4.724 = ± 0.020 " | | CHECKED | |
| DO NOT SCALE DRAWING | | ISSUED | |
| | | SHEET 1 OF 1 | |
| | | CAD FILE C:/CONNEX/222146.DWG | |

Amphenol Connex

| PART DESCRIPTION | | | |
|------------------|------|------|-------|
| F PANEL JACK | | | |
| PART NO. | | | |
| 222146 | | | |
| DWG. NO. | REV. | SIZE | SCALE |
| 222146.DWG | NC | A | NA |