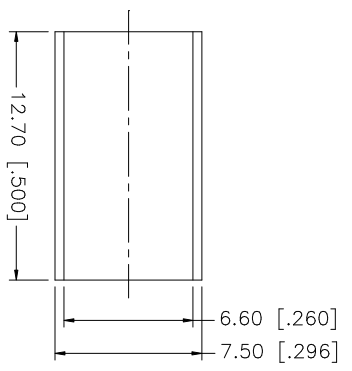
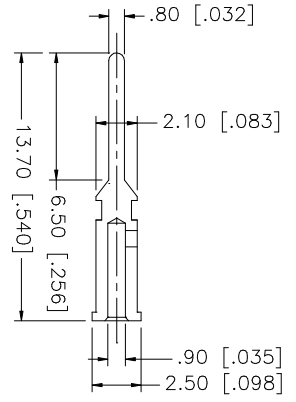
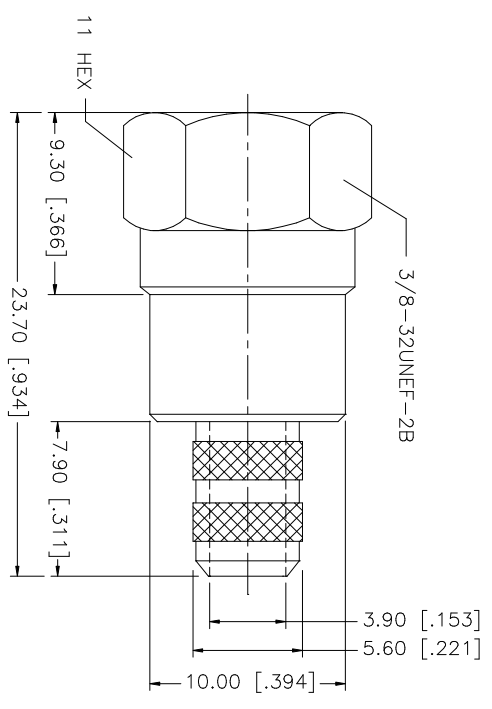
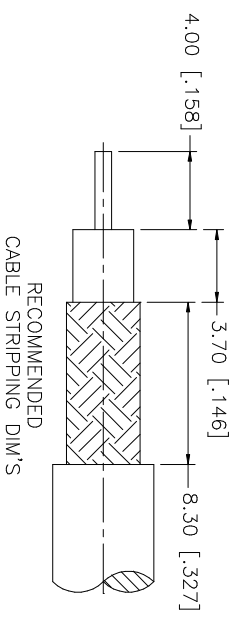


REV.	DATE	DESCRIPTION
A	03/06/03	UPDATE DRAWING FORMAT



NOTE:
 1. CRIMPED FERRULE
 HEX CRIMP SIZE ".255"
 2. CRIMPED CONTACT PIN
 HEX CRIMP SIZE ".068"

NO.	DESCRIPTION	MATERIAL	FINISH	QTY
1	SHELL/BODY	BRASS	NICKEL	1
2	INSULATOR	DELRIN	NATURAL	1
3	CONTACT PIN	BRASS	GOLD	1
4	BARREL	BRASS	NICKEL	1
5	FERRULE	BRASS	NICKEL	1
6				
7				
8				

APPROVALS	DATE
DRAWN G.R.S.	03/06/03
CHECKED	
ISSUED	
SHEET 1 OF 1	

UNLESS OTHERWISE SPECIFIED DIMENSIONS ARE IN MILLIMETERS. DIMENSIONS IN [] ARE IN INCHES AND FOR CUSTOMER REFERENCE ONLY. TOLERANCES FOR MILLIMETERS ARE:
0.5 - 8mm ± 0.20mm
8 - 30mm ± 0.40mm
30 - 120mm ± 0.50mm

UNLESS OTHERWISE SPECIFIED DIMENSIONS ARE IN MILLIMETERS. DIMENSIONS IN [] ARE IN INCHES AND FOR CUSTOMER REFERENCE ONLY. TOLERANCES FOR MILLIMETERS ARE:
0.20 - .315 ± ± 0.007"
.315 - 1.180 ± ± 0.015"
1.180 - 4.724 ± ± 0.020"

DO NOT SCALE DRAWING

CAD FILE	DWG. NO.	REV.	SIZE	SCALE
C:/222/222119.DWG	222119.DWG	A	A	NA

Amphenol Connex

PART DESCRIPTION
F CRIMP PLUG
 (FOR RG-59/U 20AWG - BELDEN 9100)
 PART NO. 222119