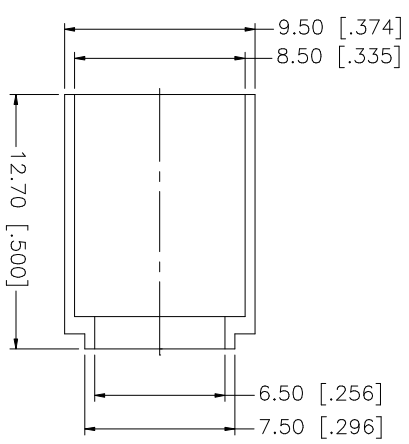
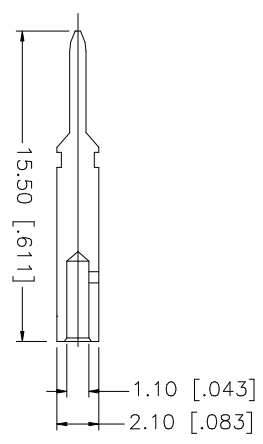
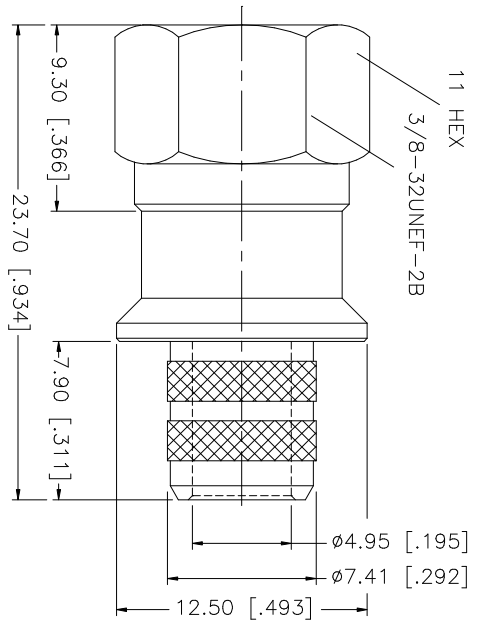
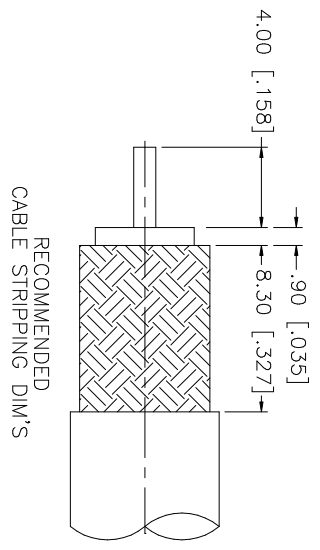


REV.	DATE	DESCRIPTION
NC	04/14/04	INITIAL RELEASE



**CRIMP NOTES:**

1. CRIMPED FERRULE  
HEX CRIMP SIZE .324"
2. CRIMPED CONTACT PIN  
HEX CRIMP SIZE .068"

UNLESS OTHERWISE SPECIFIED DIMENSIONS ARE IN INCHES AND FOR CUSTOMER REFERENCE ONLY.	UNLESS OTHERWISE SPECIFIED DIMENSIONS ARE IN MILLIMETERS FOR MILLIMETERS ARE:	UNLESS OTHERWISE SPECIFIED DIMENSIONS ARE IN INCHES AND FOR CUSTOMER REFERENCE ONLY.	UNLESS OTHERWISE SPECIFIED DIMENSIONS ARE IN MILLIMETERS FOR MILLIMETERS ARE:	APPROVALS	DATE	PART DESCRIPTION	
				DRAWN	G.R.S.	04/14/04	<b>Amphenol Connex</b>  F CRIMP PLUG (FOR BELDEN 1695A CABLE)
				CHECKED		ISSUED	
				SHEET	1 OF 1	PART NO.	
				CAD FILE	C:/222/222171.DWG	DWG. NO.	
8							222171
7							
6							
5							
4	FERRULE	BRASS	NICKEL	1			
3	CONTACT PIN	BRASS	GOLD	1			
2	INSULATOR	DELRIN	NATURAL	1			
1	BODY	BRASS	NICKEL	1			
	DESCRIPTION	MATERIAL	FINISH	QTY			