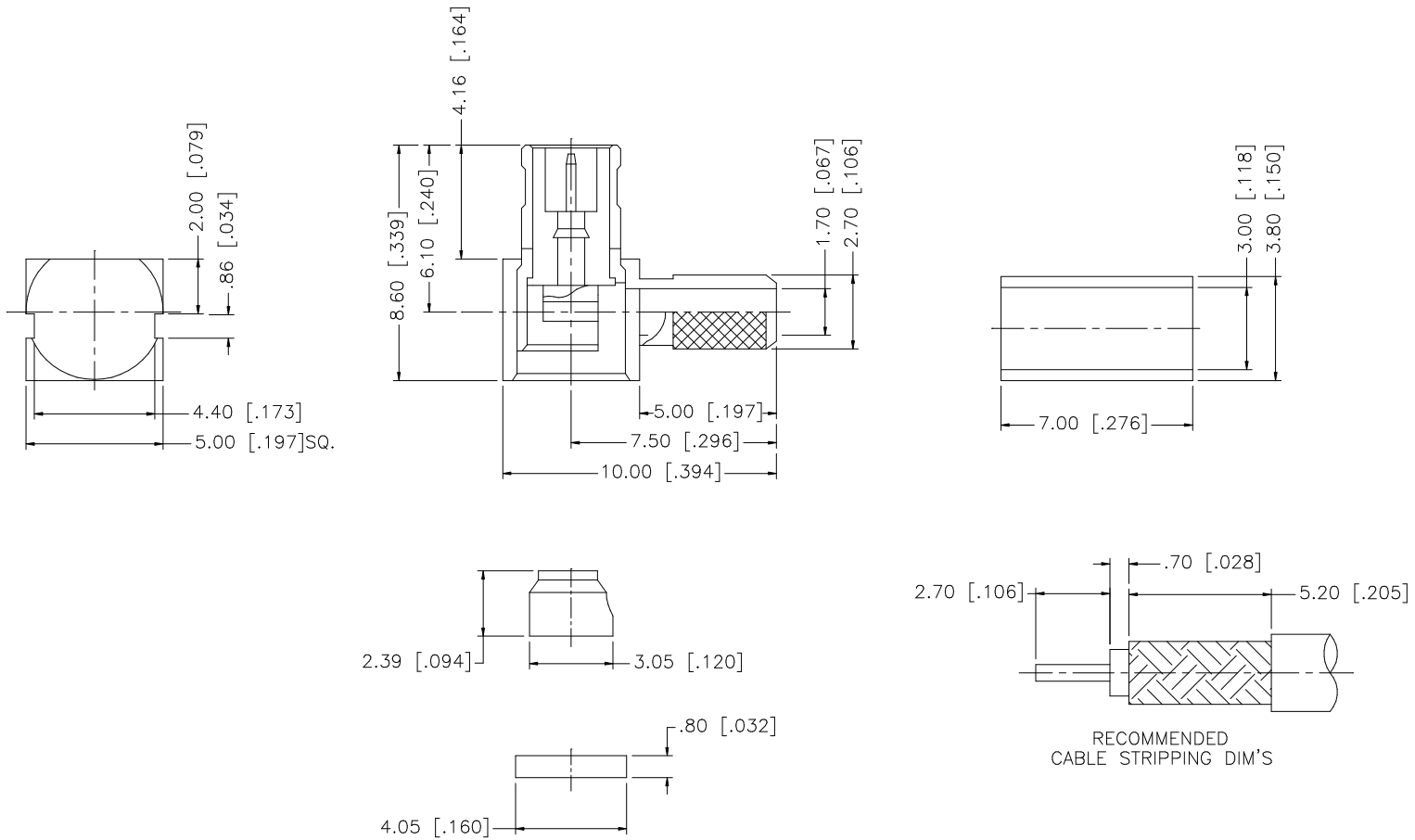


REV.	DATE	DESCRIPTION
A	06/05/03	UPDATE DRAWING FORMAT
B	11/13/06	MODIFY BARREL O.D. TO 2.7mm



NOTE:  
 1. CRIMPED FERRULE HEX CRIMP SIZE .128"  
 2. CONTACT PIN TO SOLDER

REV.	DATE	DESCRIPTION
8		
7		
6	FERRULE	COPPER
5	COVER	BRASS
4	INSULATOR	DELTRIN
3	CONTACT PIN	BRASS
2	INSULATOR	TEFLON
1	BODY	BER. COPPER
DESCRIPTION	MATERIAL	FINISH

QTY	FINISH	MATERIAL	DESCRIPTION
1	GOLD	BER. COPPER	BODY
1	NATURAL	TEFLON	INSULATOR
1	GOLD	BRASS	CONTACT PIN
1	NATURAL	DELTRIN	INSULATOR
1	GOLD	BRASS	COVER
1	GOLD	COPPER	FERRULE

UNLESS OTHERWISE SPECIFIED DIMENSIONS ARE IN MILLIMETERS. DIMENSIONS IN [ ] ARE IN INCHES AND FOR CUSTOMER REFERENCE ONLY.	APPROVALS	DATE
UNLESS OTHERWISE SPECIFIED TOLERANCES FOR MILLIMETERS ARE: 0.5 - 8mm ± 0.20mm 8 - 30mm ± 0.40mm 30 - 120mm ± 0.50mm	DRAWN G.R.S.	11/13/06
UNLESS OTHERWISE SPECIFIED TOLERANCES FOR INCHES ARE: .020 - .315 = ± 0.007" .315 - 1.180 = ± 0.015" 1.180 - 4.724 = ± 0.020"	CHECKED	
DO NOT SCALE DRAWING	ISSUED	
	SHEET 1 OF 1	
	CAD FILE C:/252/252102.DWG	

PART DESCRIPTION	PART NO.	DWG. NO.	REV.	SIZE	SCALE
MCX R/A CRIMP PLUG RG 174/u, 188/u, 316/u CABLE	252102	252102.DWG	B	A	NA

**Amphenol Connex**