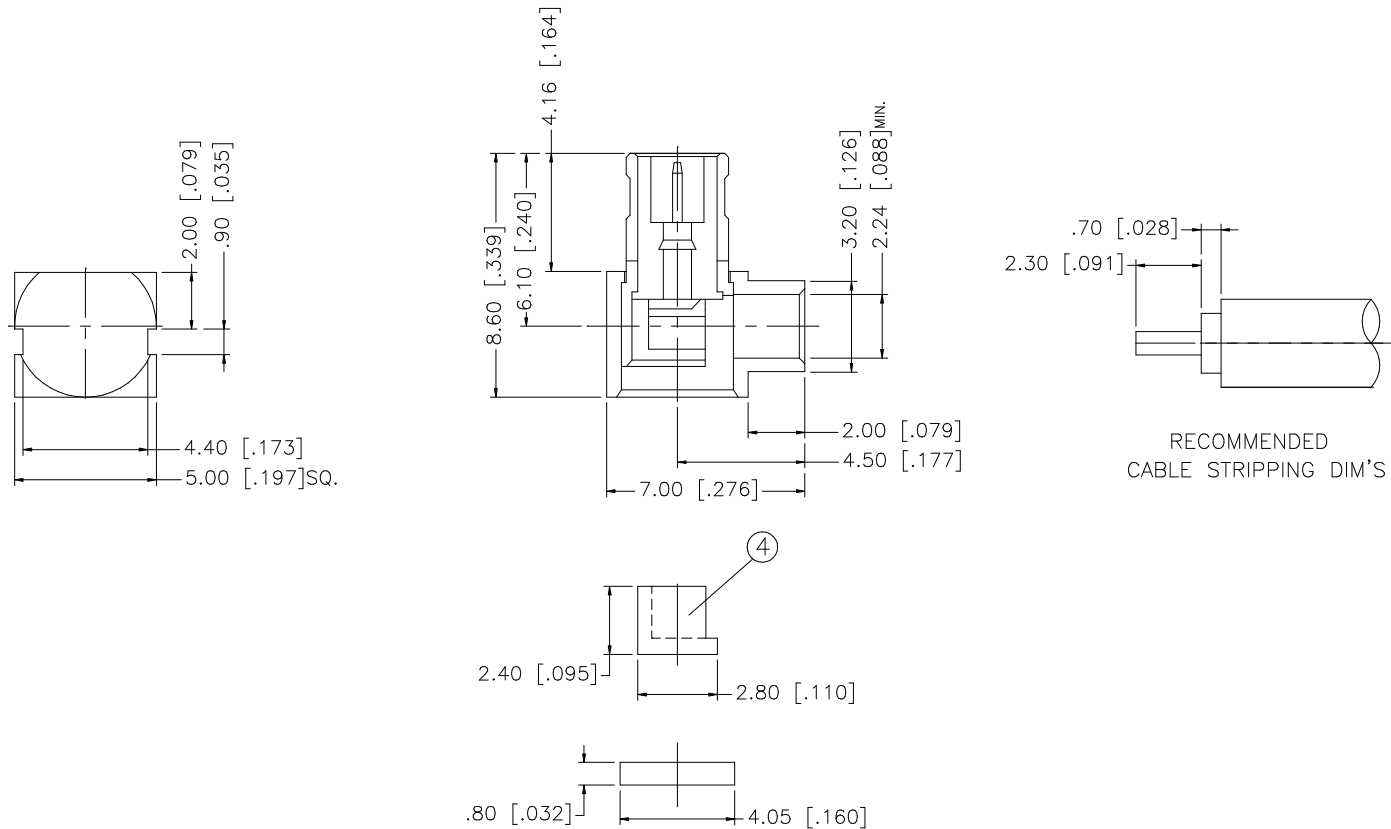


REV.	DATE	DESCRIPTION
A	02/08/03	UPDATE DRAWING FORMAT



NOTE:
1. CONTACT PIN TO SOLDER

REV.	DESCRIPTION	MATERIAL	FINISH	QTY	UNLESS OTHERWISE SPECIFIED DIMENSIONS ARE IN MILLIMETERS. DIMENSIONS IN [] ARE IN INCHES AND FOR CUSTOMER REFERENCE ONLY.	APPROVALS	DATE	Amphenol Connex				
8								MCX R/A SOLDER PLUG (FOR .085", .086" SEMI RIGID CABLE)				
7							PART DESCRIPTION					
6							PART NO. 252109					
5	COVER	BRASS	GOLD	1			DWG. NO. 252109.DWG					
4	INSULATOR	DELTRIN	NATURAL	1				REV. A				
3	CONTACT PIN	BRASS	GOLD	1				SIZE A				
2	INSULATOR	TEFLON	NATURAL	1				SCALE NA				
1	HOUSING/BODY	BRASS	GOLD	1								
					UNLESS OTHERWISE SPECIFIED TOLERANCES FOR MILLIMETERS ARE: 0.5 - 8mm ± 0.20mm 8 - 30mm ± 0.40mm 30 - 120mm ± 0.50mm	DRAWN G.R.S. 02/08/03						
					UNLESS OTHERWISE SPECIFIED TOLERANCES FOR INCHES ARE: .020 - .315 = ± 0.007" .315 - 1.180 = ± 0.015" 1.180 - 4.724 = ± 0.020"	CHECKED						
					DO NOT SCALE DRAWING	ISSUED						
						SHEET 1 OF 1						
						CAD FILE C:/252/252109.DWG						