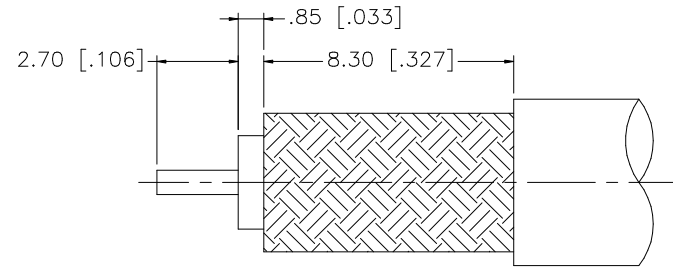
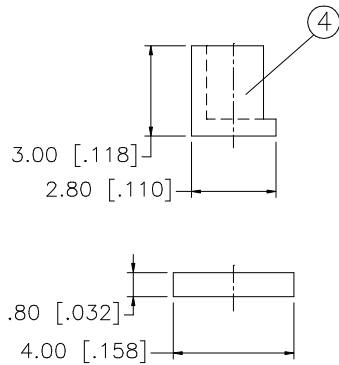
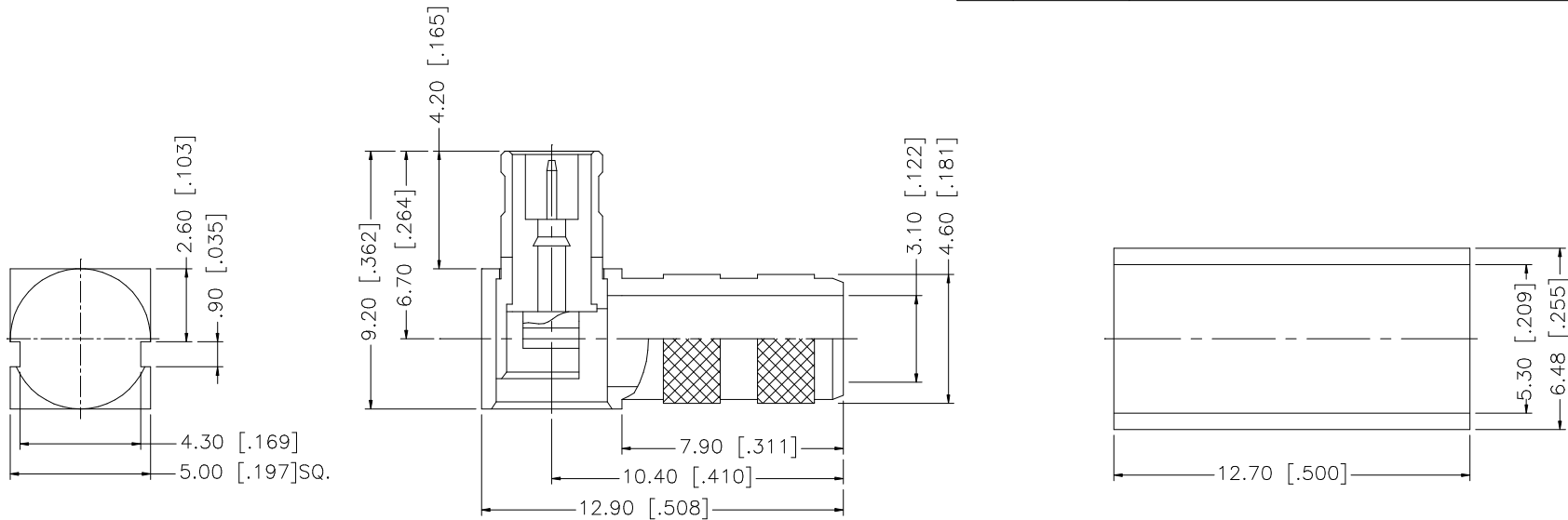


REV.	DATE	DESCRIPTION
NC	12/04/97	INITIAL RELEASE
A	07/20/05	UPDATE DRAWING FORMAT



REV.	DATE	DESCRIPTION
8		
7		
6	FERRULE	COPPER
5	COVER	BRASS
4	INSULATOR	DELTRIN
3	CONTACT PIN	BER. COPPER
2	INSULATOR	TEFLON
1	BODY	BRASS
	DESCRIPTION	MATERIAL
		FINISH
		QTY
UNLESS OTHERWISE SPECIFIED DIMENSIONS ARE IN MILLIMETERS. DIMENSIONS IN [] ARE IN INCHES AND FOR CUSTOMER REFERENCE ONLY. UNLESS OTHERWISE SPECIFIED TOLERANCES FOR MILLIMETERS ARE: 0.5 - 8mm ± 0.20mm 8 - 30mm ± 0.40mm 30 - 120mm ± 0.50mm UNLESS OTHERWISE SPECIFIED TOLERANCES FOR INCHES ARE: .020 - .315 = ± 0.007" .315 - 1.180 = ± 0.015" 1.180 - 4.724 = ± 0.020" DO NOT SCALE DRAWING		
APPROVALS		DATE
DRAWN G.R.S.		07/20/05
CHECKED		
ISSUED		
SHEET 1 OF 1		
CAD FILE		C:/252/252115.DWG
Amphenol Connex PART DESCRIPTION MCX R/A CRIMP PLUG - RG58/U - PART NO. 252115		
DWG. NO.	252115.DWG	REV. A
SIZE	A	SCALE NA