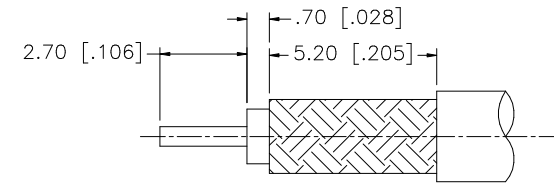
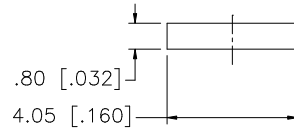
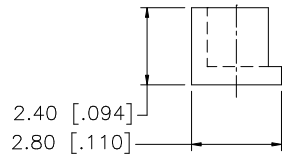
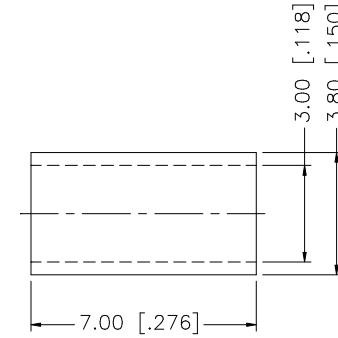
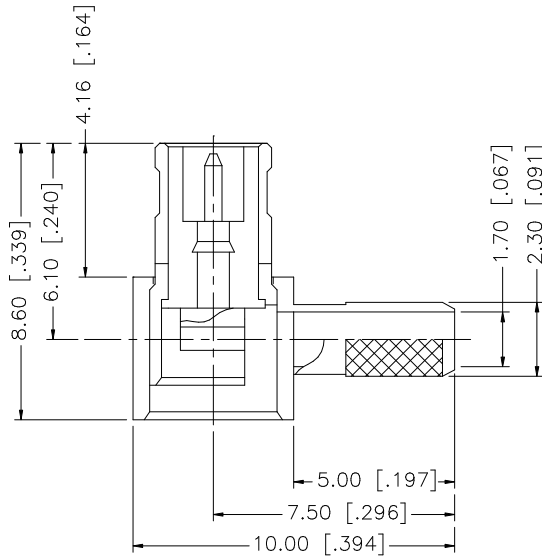
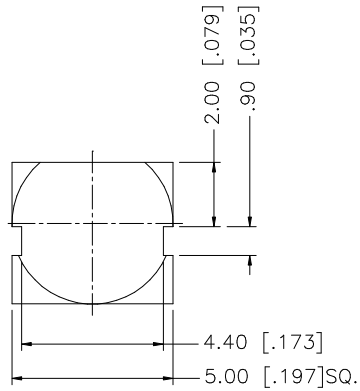


REV.	DATE	DESCRIPTION
A	01/30/04	UPDATE DRAWING FORMAT



RECOMMENDED
CABLE STRIPPING DIM'S

NOTE:

1. CRIMPED FERRULE
HEX CRIMP SIZE .128"
2. CONTACT PIN TO SOLDER

DESCRIPTION	MATERIAL	FINISH	QTY	UNLESS OTHERWISE SPECIFIED DIMENSIONS ARE IN MILLIMETERS. DIMENSIONS IN [] ARE IN INCHES AND FOR CUSTOMER REFERENCE ONLY.	APPROVALS	DATE	Amphenol Connex			
8					DRAWN	G.R.S.	01/30/04	PART DESCRIPTION MCX R/A CRIMP PLUG (FOR RG-179/U, 187A/U CABLE)		
7					CHECKED					
6	FERRULE	COPPER	GOLD	1	ISSUED			PART NO. 252102-75		
5	COVER	BRASS	GOLD	1	SHEET	1 OF 1				
4	INSULATOR	DELTRIN	NATURAL	1	CAD FILE			DWG. NO. 252102-75.DWG		
3	CONTACT PIN	BRASS	GOLD	1						
2	INSULATOR	TEFLON	NATURAL	1				SIZE A		
1	BODY	BER. COPPER	GOLD	1						
					DO NOT SCALE DRAWING					

UNLESS OTHERWISE SPECIFIED DIMENSIONS ARE IN MILLIMETERS. DIMENSIONS IN [] ARE IN INCHES AND FOR CUSTOMER REFERENCE ONLY.

UNLESS OTHERWISE SPECIFIED TOLERANCES FOR MILLIMETERS ARE:
0.5 - 8mm ± 0.20mm
8 - 30mm ± 0.40mm
30 - 120mm ± 0.50mm

UNLESS OTHERWISE SPECIFIED TOLERANCES FOR INCHES ARE:
.020 - .315 = ± 0.007"
.315 - 1.180 = ± 0.015"
1.180 - 4.724 = ± 0.020"

APPROVALS

DATE

DRAWN

G.R.S.

01/30/04

CHECKED

ISSUED

SHEET

1 OF 1

CAD FILE

C:/252/252102-75.DWG

PART DESCRIPTION

MCX R/A CRIMP PLUG
(FOR RG-179/U, 187A/U CABLE)

PART NO.

252102-75

DWG. NO.

252102-75.DWG

REV. A

SIZE A

SCALE NA