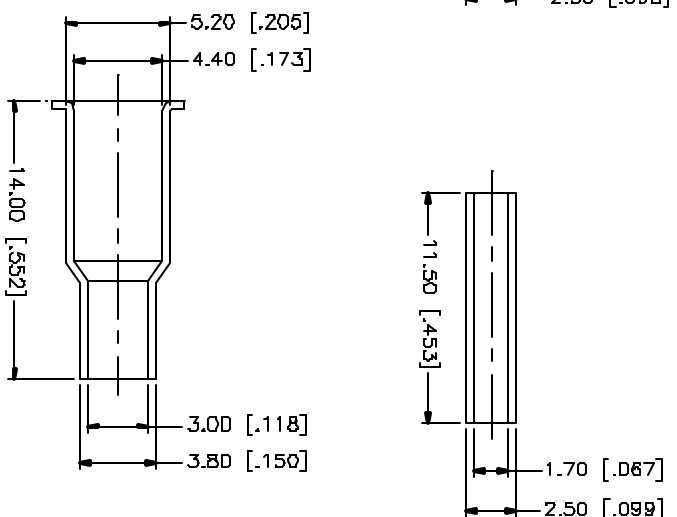
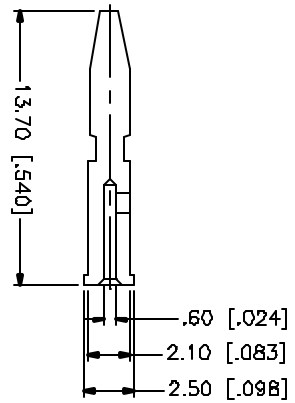
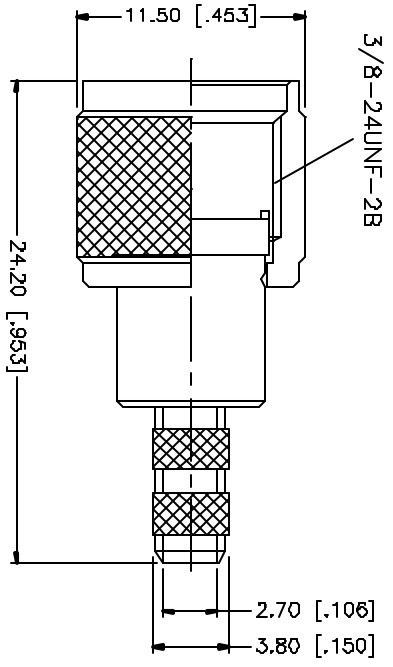
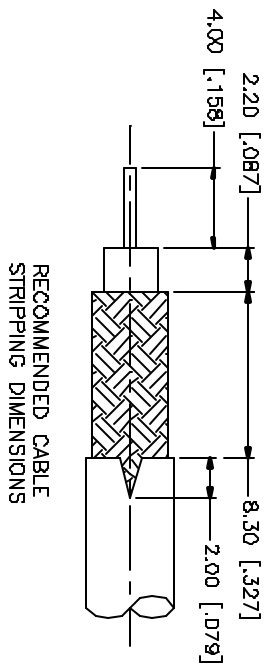


REV.	DATE	DESCRIPTION
A	04/04/05	UPDATE DRAWING FORMAT



NO.	DESCRIPTION	MATERIAL	FINISH	QTY	DD NDT SCALE DRAWING	APPROVALS	DATE	PART DESCRIPTION
8								<b>Amphenol Connex</b> MINI-UHF CRIMP PLUG (FOR RG-174/U, 188A/U, 316/U) 182118
7								
6								
5	FERRULE	BRASS	NICKEL	1				
4	INSULATOR	DELRIIN	NATURAL	1				
3	CONTACT PIN	BRASS	GOLD	1				
2	INSULATOR	TEFLON	NATURAL	1				
1	BODY	BRASS	NICKEL	1				
DESCRIPTION								
MATERIAL								
FINISH								
QTY								
VALUES GIVEN SHOULD BE USED AS GUIDELINES AND NOT AS DIMENSIONS. DIMENSIONS FOR MATERIALS ARE GIVEN IN PARENTHESES ONLY. VALUES GIVEN SHOULD BE USED AS GUIDELINES AND NOT AS DIMENSIONS. DIMENSIONS FOR MATERIALS ARE GIVEN IN PARENTHESES ONLY. VALUES GIVEN SHOULD BE USED AS GUIDELINES AND NOT AS DIMENSIONS. DIMENSIONS FOR MATERIALS ARE GIVEN IN PARENTHESES ONLY.								
APPROVALS DRAWN G.R.S. 04/04/05 CHECKED ISSUED SHEET 1 OF 1								
DWD FILE C:/182/182118.DWG DWE. N/A 182118.DWG REV. A SIZE A SCALE NA								