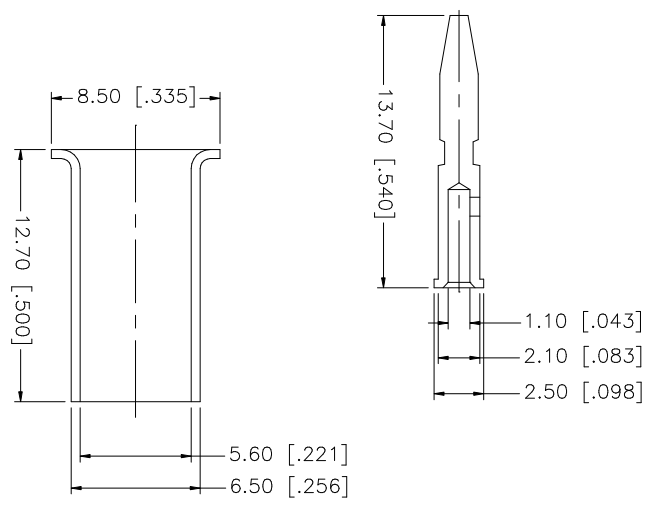
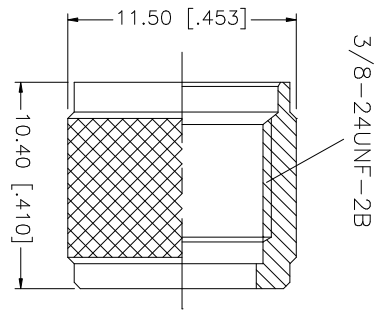
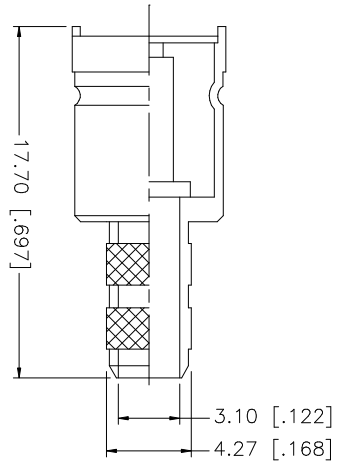
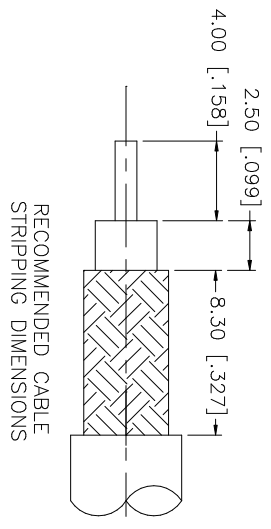


REV.	DATE	DESCRIPTION
A	01/19/06	UPDATE DRAWING FORMAT



8																			
7																			
6																			
5	FERRULE	BRASS	NICKEL	1															
4	CONTACT PIN	BRASS	GOLD	1															
3	INSULATOR	TEFLON	NATURAL	1															
2	SHELL	BRASS	NICKEL	1															
1	BODY	BRASS	NICKEL	1															
	DESCRIPTION	MATERIAL	FINISH	QTY															
					UNLESS OTHERWISE SPECIFIED DIMENSIONS ARE IN INCHES AND FOR DIMENSIONS REFERENCED ONLY. UNLESS OTHERWISE SPECIFIED TOLERANCES FOR MILLIMETERS ARE: 0.5 - 8mm ± 0.20mm 8 - 30mm ± 0.40mm 30 - 120mm ± 0.50mm UNLESS OTHERWISE SPECIFIED TOLERANCES FOR INCHES ARE: .020 - .315 = ± 0.007" .315 - 1.180 = ± 0.015" 1.180 - 4.724 = ± 0.020"					APPROVALS DRAWN G.R.S. DATE 01/19/06 CHECKED ISSUED SHEET 1 OF 1					CAD FILE C:/182/182123.DWG DWG. NO. 182123.DWG REV. A SIZE A SCALE NA				
<p style="text-align: center;">Amphenol Connex</p> <p style="text-align: center;">MINI-UHF CRIMP PLUG (FOR RG-55/U, 223/U CABLE)</p> <p style="text-align: center;">182123</p>																			