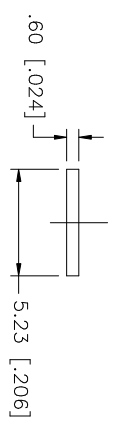
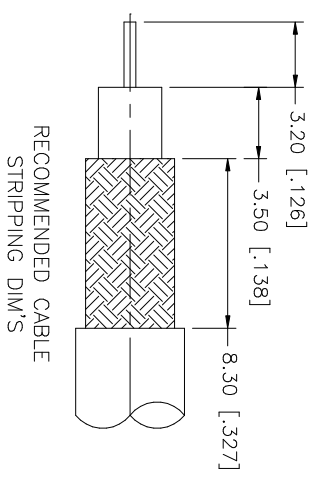
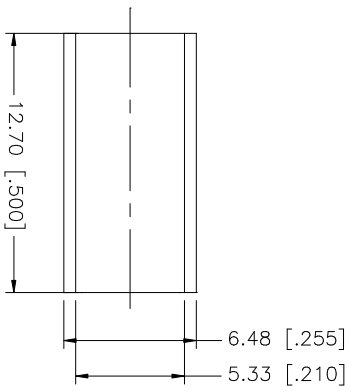
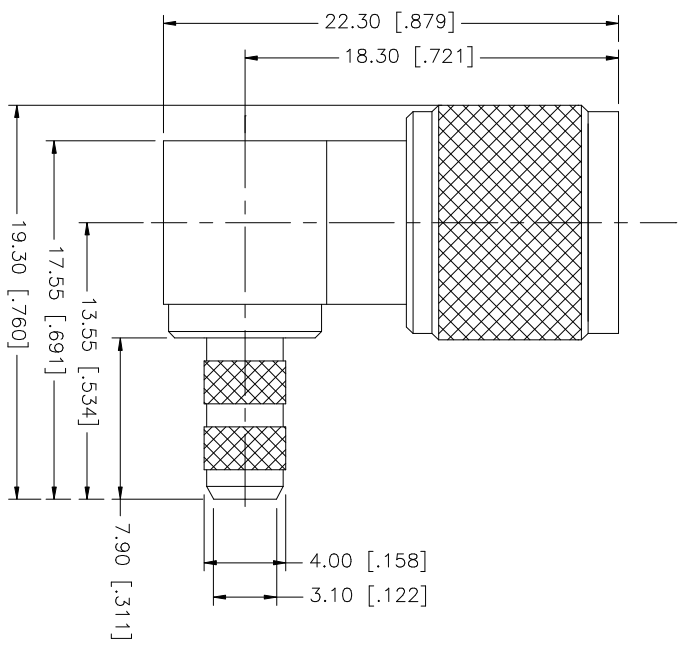


REV.	DATE	DESCRIPTION
A	09/30/03	ADD STRIPPING DIMENSIONS



CRIMP NOTES:
 1. CRIMPED FERRULE
 HEX CRIMP SIZE .213"

QTY	FINISH	MATERIAL	DESCRIPTION
1	NICKEL	BRASS	COVER
1	NICKEL	COPPER	FERRULE
1	GOLD	BRASS	CONTACT PIN
1	NATURAL	DELRIN	INSULATOR
1	NICKEL	DIE CAST	BODY

APPROVALS	DATE
DRAWN G.R.S.	09/30/03
CHECKED	
ISSUED	
SHEET 1 OF 1	

UNLESS OTHERWISE SPECIFIED DIMENSIONS ARE IN INCHES AND FOR CUSTOMER REFERENCE ONLY.	UNLESS OTHERWISE SPECIFIED DIMENSIONS ARE IN MILLIMETERS AND FOR CUSTOMER REFERENCE ONLY.
UNLESS OTHERWISE SPECIFIED TOLERANCES FOR MILLIMETERS ARE: 0.5 - 8mm ± 0.20mm 8 - 30mm ± 0.40mm 30 - 120mm ± 0.50mm	UNLESS OTHERWISE SPECIFIED TOLERANCES FOR INCHES ARE: .020 - .315 = ± 0.007" .315 - 1.180 = ± 0.015" 1.180 - 4.724 = ± 0.020"

DO NOT SCALE DRAWING	CAD FILE
	C:/182/182324.DWG

DWG. NO.	REV.	SIZE	SCALE
182324.DWG	A	A	NA

PART DESCRIPTION	PART NO.
MINI-UHF CRIMP PLUG (FOR RG-55/U, 223/U, 142/U, 400/U CABLE)	182324

Amphenol Connex