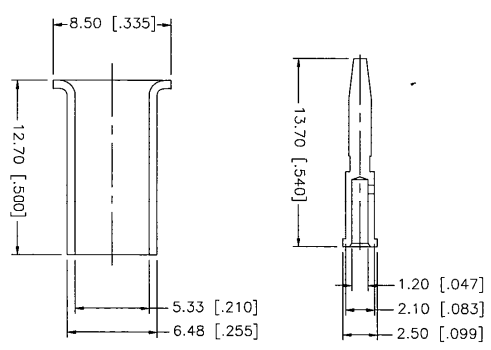
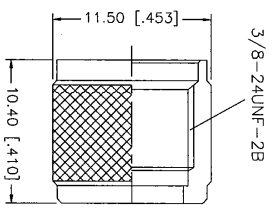
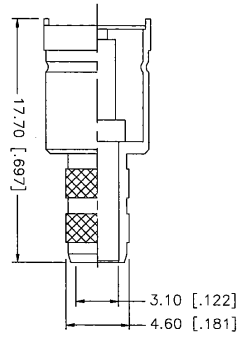
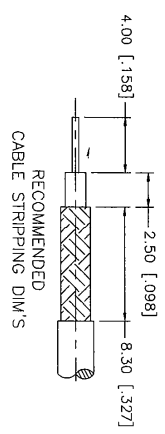


REV	DATE	DESCRIPTION
NC	01/17/00	INITIAL RELEASE
A	08/02/06	UPDATE DRAWING FORMAT



NOTE:
 1. CRIMPED FERRULE HEX CRIMP SIZE .213"
 2. CRIMPED CONTACT PIN HEX CRIMP SIZE .068"

8	7	6	5	4	3	2	1		
DESCRIPTION	MATERIAL	FINISH	QTY	DC NOT SCALE DRAWING	CAD FILE	DWG. NO.	REV	SIZE	SCALE
					C:/182/182314.DWG	182314.DWG	A	A	NA
Amphenol Connex MINI-UHF CRIMP PLUG (FOR LMR 200 CABLE)									
UNLESS OTHERWISE SPECIFIED DIMENSIONS ARE IN MILLIMETERS (IN PARENTHESES). DIMENSIONS FOR MATERIALS ARE: B ± .20mm ± 0.00mm 30 - 120mm ± 0.50mm UNLESS OTHERWISE SPECIFIED DIMENSIONS FOR HOLES ARE: Ø20 - 1.180 ± 0.015° Ø315 - 1.180 ± 0.015° 1.180 - 4.724 ± 0.020°									
APPROVALS DRAWN: G.R.S. DATE: 08/02/06 CHECKED: ISSUED: SHEET: 1 OF 1									