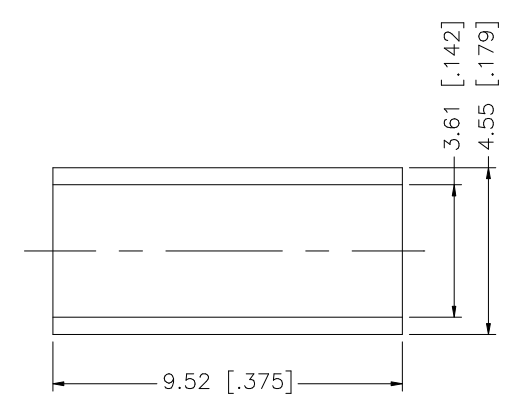
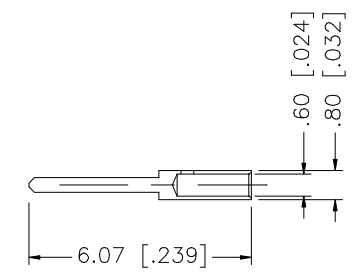
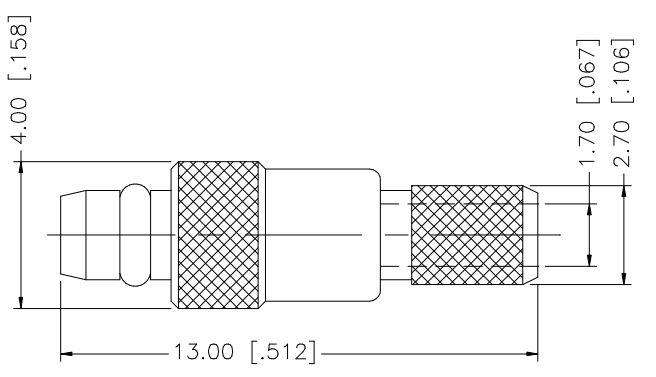


RECOMMENDED CABLE
STRIPPING DIM'S.



8					
7					
6					
5					
4					
3	CONTACT PIN	BRASS		TOL	
2	INSULATOR	TEFLON			
1	BODY	BRASS			
	DESCRIPTION	MATERIAL			