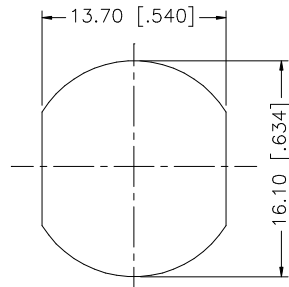
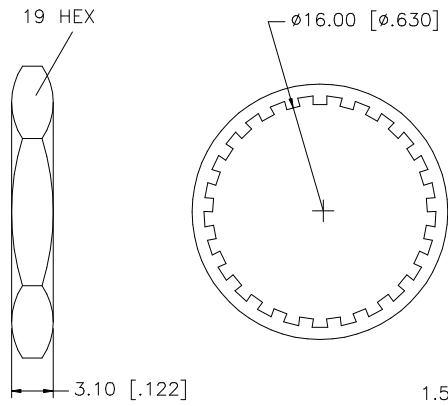
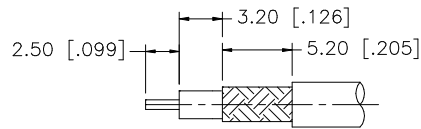
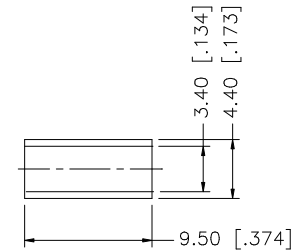
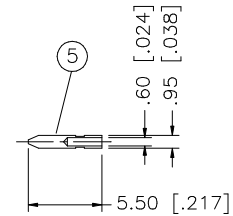
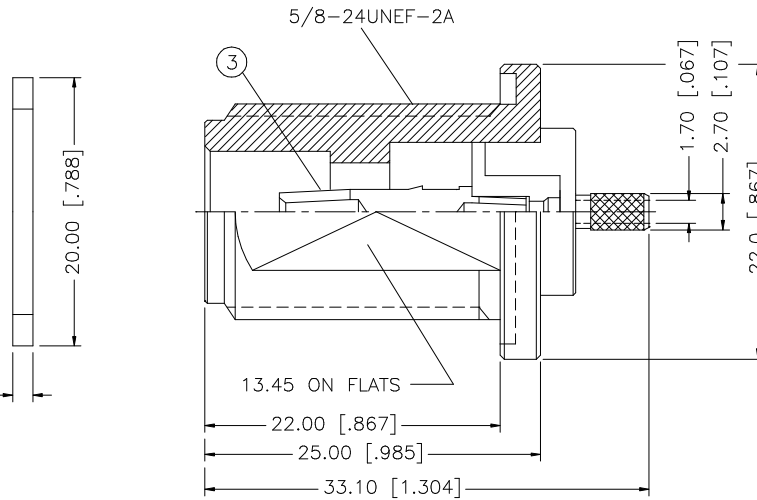


| REV. | DATE | DESCRIPTION |
|------|----------|------------------------------------|
| B | 01/29/00 | MODIFY FERRULE DIMS./ CHANGE NOTES |
| C | 06/05/03 | UPDATE DRAWING FORMAT |
| D | 11/20/06 | REVISE BARREL I.D. TO 2.70mm |



RECOMMENDED MOUNTING HOLE DIMENSIONS



RECOMMENDED CABLE STRIPPING DIM'S

NOTE:

1. CRIMPED FERRULE
HEX CRIMP SIZE .151"
2. CRIMPED CONTACT PIN
SQ. CRIMP SIZE 0.7mm
3. MAX. PANEL THICKNESS = 7mm

| DESCRIPTION | MATERIAL | FINISH | QTY |
|-------------|-------------|----------|-----------|
| 8 | | | |
| 7 | FERRULE | COPPER | NEXCOTE 1 |
| 6 | HEX NUT | BRASS | NEXCOTE 1 |
| 5 | LOCK WASHER | BRASS | NEXCOTE 1 |
| 4 | GASKET | SILICONE | RED 1 |
| 3 | CONTACT PIN | BRASS | GOLD 1 |
| 2 | INSULATOR | TEFLON | NATURAL 1 |
| 1 | BODY | BRASS | NEXCOTE 1 |

UNLESS OTHERWISE SPECIFIED DIMENSIONS ARE IN MILLIMETERS. DIMENSIONS IN [] ARE IN INCHES AND FOR CUSTOMER REFERENCE ONLY.

UNLESS OTHERWISE SPECIFIED TOLERANCES FOR MILLIMETERS ARE:
0.5 - 8mm ± 0.20mm
8 - 30mm ± 0.40mm
30 - 120mm ± 0.50mm

UNLESS OTHERWISE SPECIFIED TOLERANCES FOR INCHES ARE:
.020 - .315 = ± 0.007"
.315 - 1.180 = ± 0.015"
1.180 - 4.724 = ± 0.020"

DO NOT SCALE DRAWING

| APPROVALS | DATE |
|--------------|-------------------|
| DRAWN G.R.S. | 11/20/06 |
| CHECKED | |
| ISSUED | |
| SHEET 1 OF 1 | |
| CAD FILE | C:/172/172165.DWG |

| | | | |
|--|------------|--------|-----------------|
| Amphenol Connex | | | |
| PART DESCRIPTION N BULKHEAD CRIMP JACK (FOR RG-316/U DOUBLE BRAID CABLE) | | | |
| PART NO. 172165 | | | |
| DWG. NO. | 172165.DWG | REV. D | SIZE A SCALE NA |