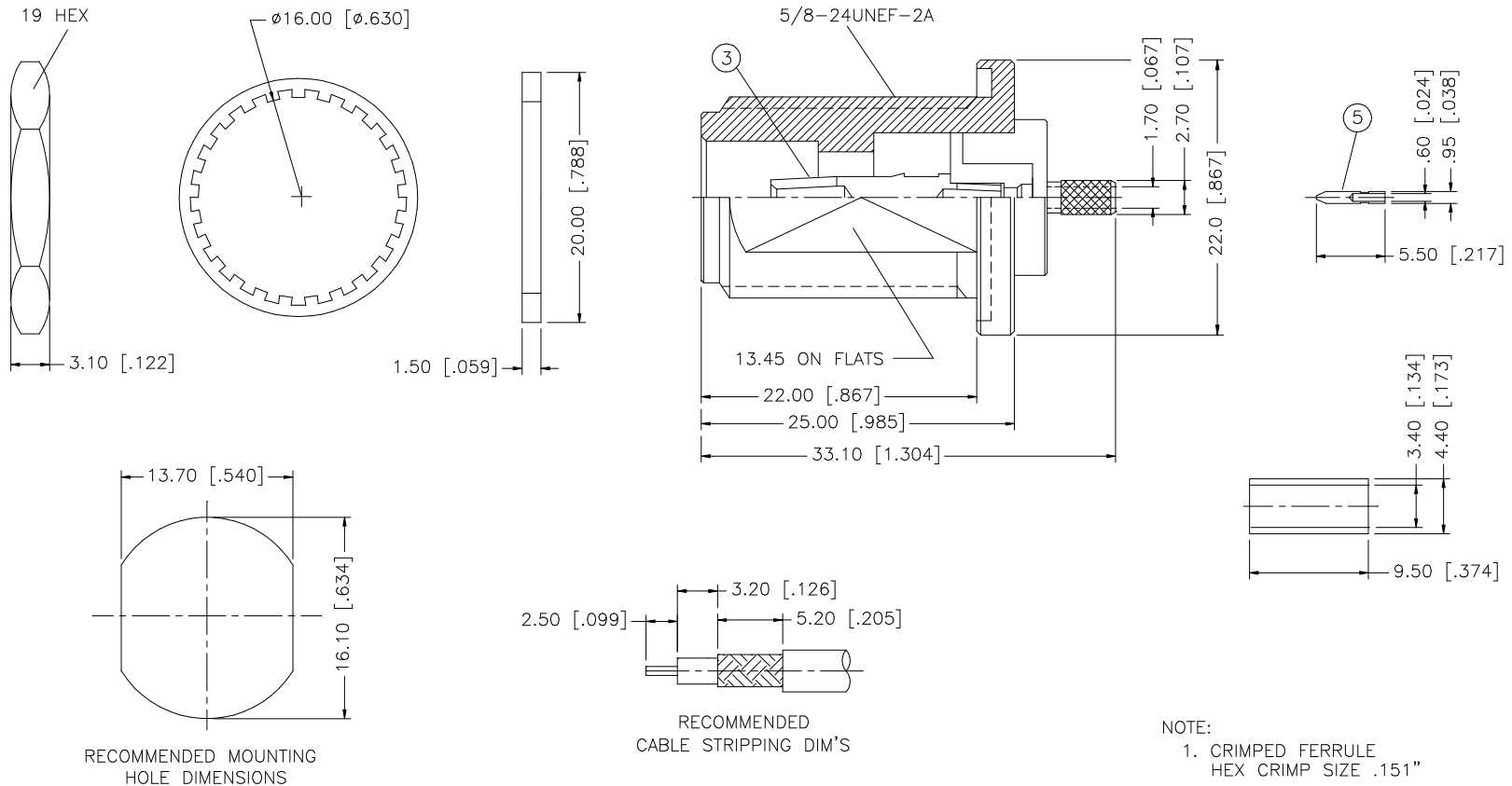


| REV. | DATE     | DESCRIPTION                        |
|------|----------|------------------------------------|
| B    | 01/29/00 | MODIFY FERRULE DIMS./ CHANGE NOTES |
| C    | 06/05/03 | UPDATE DRAWING FORMAT              |
| D    | 11/20/06 | REVISE BARREL I.D. TO 2.70mm       |



RECOMMENDED MOUNTING HOLE DIMENSIONS

RECOMMENDED CABLE STRIPPING DIM'S

NOTE:

1. CRIMPED FERRULE  
HEX CRIMP SIZE .151"
2. CRIMPED CONTACT PIN  
SQ. CRIMP SIZE 0.7mm
3. MAX. PANEL THICKNESS = 7mm

| QTY | DESCRIPTION | MATERIAL | FINISH  | QTY | UNLESS OTHERWISE SPECIFIED DIMENSIONS ARE IN MILLIMETERS. DIMENSIONS IN [ ] ARE IN INCHES AND FOR CUSTOMER REFERENCE ONLY.             | APPROVALS | DATE              | Amphenol Connex                                                                        |                     |        |          |
|-----|-------------|----------|---------|-----|----------------------------------------------------------------------------------------------------------------------------------------|-----------|-------------------|----------------------------------------------------------------------------------------|---------------------|--------|----------|
| 8   |             |          |         |     |                                                                                                                                        |           |                   | PART DESCRIPTION<br><b>N BULKHEAD CRIMP JACK<br/>(FOR RG-316/U DOUBLE BRAID CABLE)</b> |                     |        |          |
| 7   | FERRULE     | COPPER   | NEXCOTE | 1   |                                                                                                                                        | DRAWN     | G.R.S.            |                                                                                        |                     |        | 11/20/06 |
| 6   | HEX NUT     | BRASS    | NEXCOTE | 1   | UNLESS OTHERWISE SPECIFIED TOLERANCES FOR MILLIMETERS ARE:<br>0.5 - 8mm ± 0.20mm<br>8 - 30mm ± 0.40mm<br>30 - 120mm ± 0.50mm           | CHECKED   |                   |                                                                                        | PART NO.            |        |          |
| 5   | LOCK WASHER | BRASS    | NEXCOTE | 1   |                                                                                                                                        | ISSUED    |                   |                                                                                        | 172165              |        |          |
| 4   | GASKET      | SILICONE | RED     | 1   |                                                                                                                                        | SHEET     | 1 OF 1            |                                                                                        | DWG. NO. 172165.DWG |        |          |
| 3   | CONTACT PIN | BRASS    | GOLD    | 1   | UNLESS OTHERWISE SPECIFIED TOLERANCES FOR INCHES ARE:<br>.020 - .315 = ± 0.007"<br>.315 - 1.180 = ± 0.015"<br>1.180 - 4.724 = ± 0.020" | CAD FILE  | C:/172/172165.DWG |                                                                                        | REV. D              | SIZE A | SCALE NA |
| 2   | INSULATOR   | TEFLON   | NATURAL | 1   |                                                                                                                                        |           |                   |                                                                                        |                     |        |          |
| 1   | BODY        | BRASS    | NEXCOTE | 1   |                                                                                                                                        |           |                   |                                                                                        |                     |        |          |
|     | DESCRIPTION | MATERIAL | FINISH  | QTY | DO NOT SCALE DRAWING                                                                                                                   |           |                   |                                                                                        |                     |        |          |