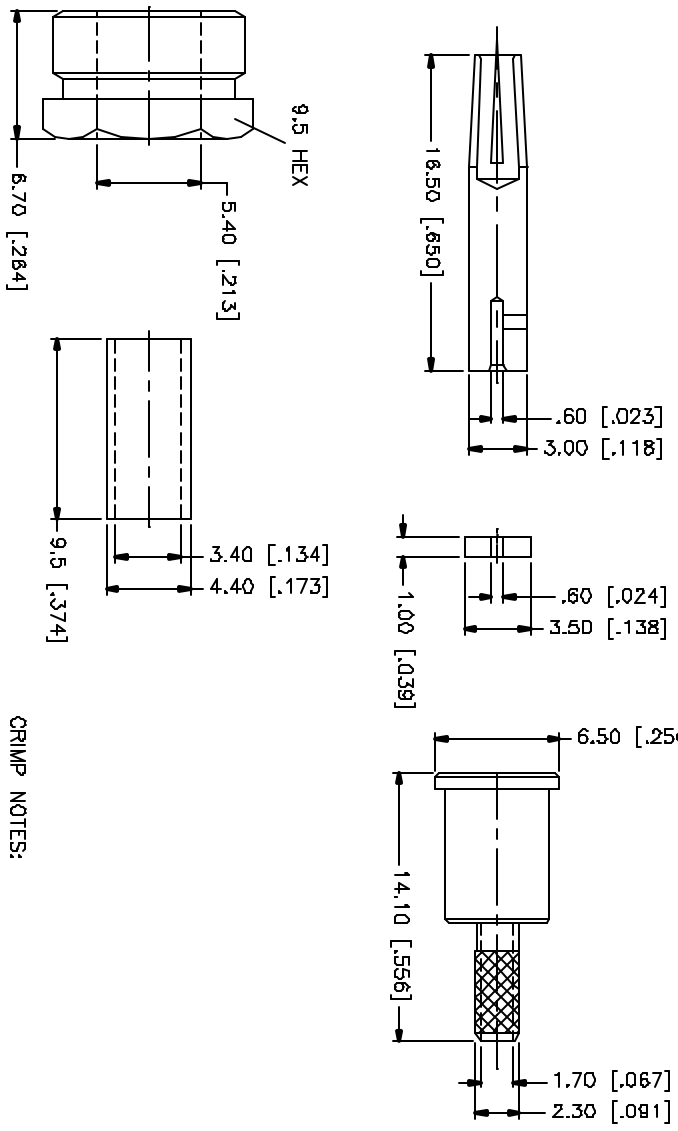
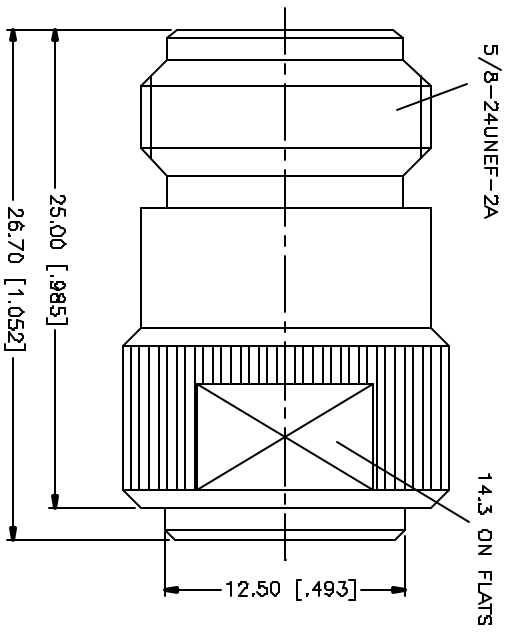
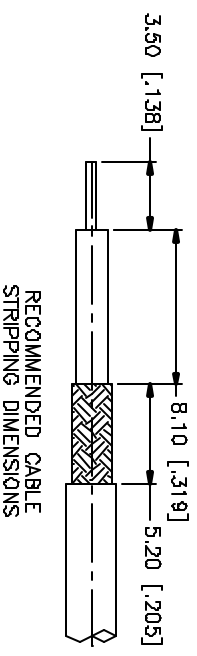


REV.	DATE	DESCRIPTION
A	12/16/04	MODIFY BARREL LENGTH TO 14.1mm
B	01/09/05	MODIFY FERRULE LENGTH TO 9.5mm - ADD TORQUE NOTE



- CRIMP NOTES:
1. CRIMPED FERRULE HEX CRIMP SIZE .151"
 2. CRIMPED CONTACT HEX CRIMP SIZE .100"
 3. TORQUE TO MIN. OF 35 IN/LBS

QTY	FINISH	MATERIAL	DESCRIPTION
1	NICKEL	COPPER	FERRULE
1	NICKEL	BRASS	HEX NUT
1	NICKEL	BRASS	BARREL
1	GOLD	PHOS. BRONZE	CONTACT PIN
1	NATURAL	TEFLON	INSULATOR
1	NICKEL	BRASS	BODY

APPROVALS	DATE
DRAWN G.R.S.	01/09/05

CAD FILE	DWG. NO.	REV.	SIZE	SCALE
C:/172/172205.DWG	172205.DWG	B	A	NA

PART DESCRIPTION	
N STRAIGHT CRIMP JACK (FOR RG-316/U DOUBLE BRAID CABLE)	
PART NO. 172205	

UNLESS OTHERWISE SPECIFIED DIMENSIONS ARE IN MILLIMETERS. DIMENSIONS IN [] ARE IN INCHES AND FOR CUSTOMER REFERENCE ONLY.

UNLESS OTHERWISE SPECIFIED TOLERANCES FOR MILLIMETERS ARE:
 A - 4.5 - 30mm ± 0.20mm
 B - 30mm ± 0.40mm
 C - 30 - 120mm ± 0.30mm

UNLESS OTHERWISE SPECIFIED TOLERANCES FOR INCHES ARE:
 .020 - .315 ± 0.003"
 .315 - 1.180 ± 0.015"
 1.180 - 4.724 ± 0.020"

DO NOT SCALE DRAWINGS

Amphenol Connex