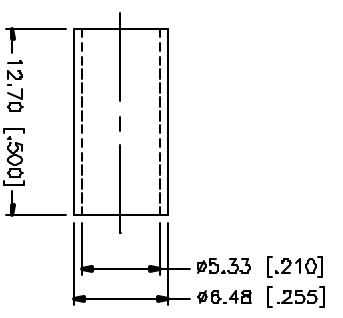
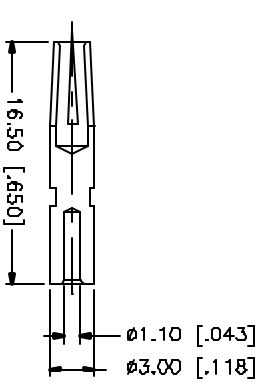
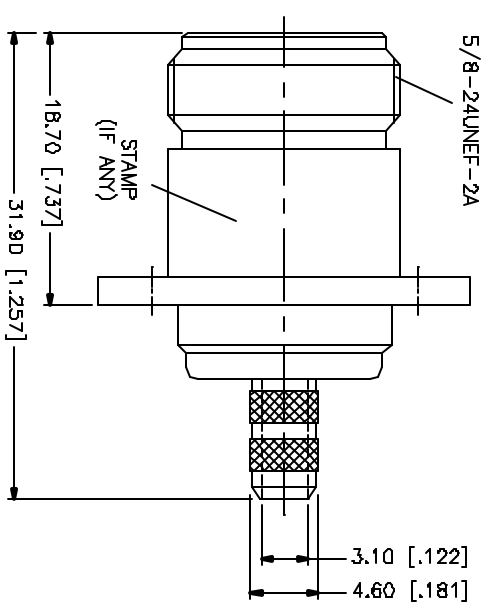
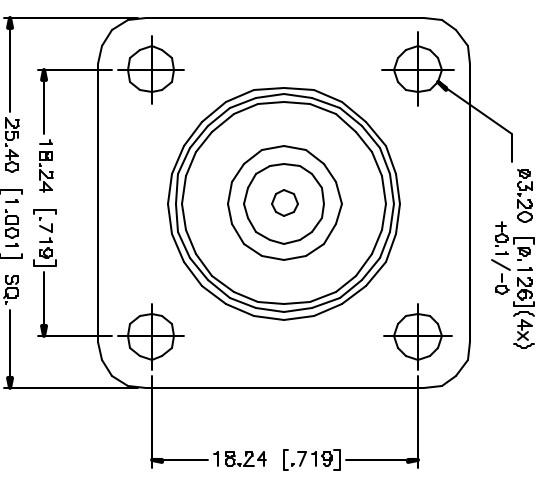
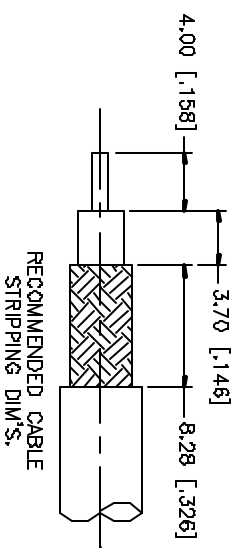


REV.	DATE	DESCRIPTION
A	11/21/03	UPDATE DRAWING FORMAT



- NOTES:
1. CRIMPED FERRULE
HEX. CRIMP SIZE .213"
 2. CRIMPED CONTACT PIN
HEX. CRIMP SIZE .100"

NO.	DESCRIPTION	MATERIAL	FINISH	QTY
1	BODY W/PANEL	BRASS	NATURAL	1
2	INSULATOR	TEFLON	NATURAL	1
3	CONTACT PIN	PHOS. BRONZE	GOLD	1
4	FERRULE	COPPER	NEOXOTE	1
5				
6				1
7				
8				

APPROVALS	DATE
DRAWN G.R.S.	11/21/03
CHECKED	
ISSUED	
SHEET 1 OF 1	

UNITED STATES GOVERNMENT SPECIFICATIONS ARE IN MILLIMETERS () ARE IN INCHES AND FOR CRIMP CONTACT ONLY.
USE THE FOLLOWING SPECIFICATIONS FOR MILLIMETER ARE:
D.5 - 8mm ± 0.20mm
9 - 30mm ± 0.40mm
30 - 120mm ± 0.50mm
USE THE FOLLOWING SPECIFICATIONS FOR INCHES ARE:
.020 - .315 ± 0.017"
.315 - 1.180 ± 0.019"
1.180 - 4.724 ± 0.020"

APPROVALS	DATE
DRAWN G.R.S.	11/21/03
CHECKED	
ISSUED	
SHEET 1 OF 1	

PART DESCRIPTION	PART NO.
N PANEL CRIMP JACK RGS58/U CABLE	172208

DWG. NO.	REV.	SIZE	SCALE
172208.DWG	A	A	NA

Amphenol Connex