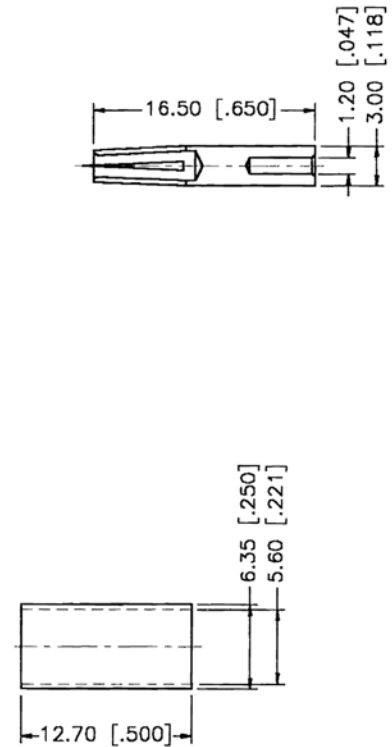
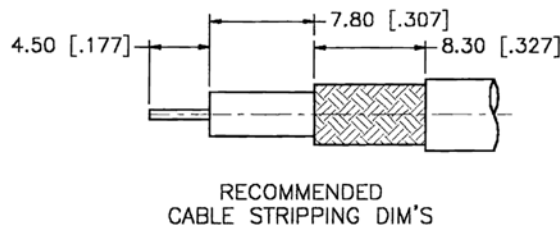
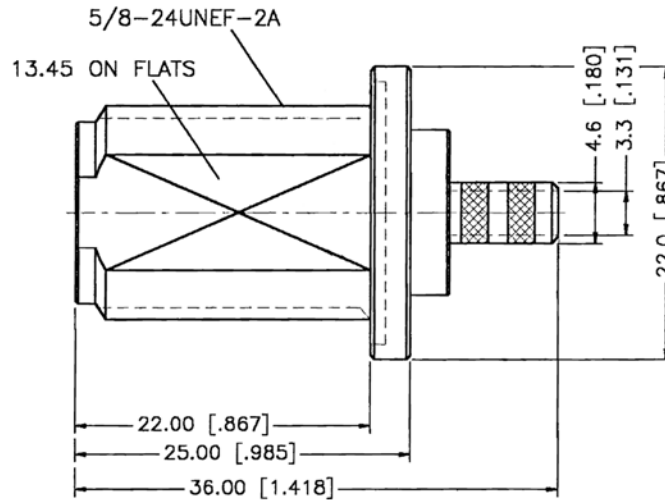
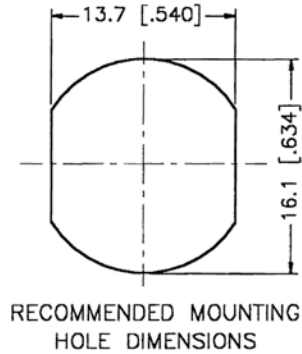
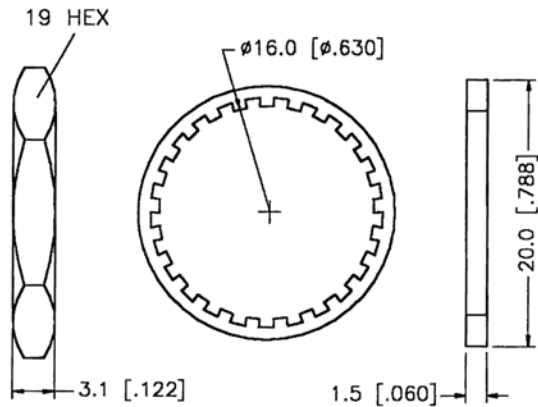



REV.	DATE	DESCRIPTION
NC	08/10/98	INITIAL RELEASE



DESCRIPTION	MATERIAL	FINISH	UNLESS OTHERWISE SPECIFIED DIMENSIONS ARE IN MILLIMETERS	APPROVALS	DATE					
1 BODY	BRASS	NICKEL	DIMENSIONS IN [] ARE IN INCHES FOR CUSTOMER REFERENCE ONLY	DRAWN	G.R.S.	08/10/98	TITLE N BULKHEAD CRIMP JACK - LMR 200			
2 INSULATOR	TEFLON	NATURAL		CHECKED						
3 CONTACT PIN	PHOS. BRONZE	GOLD	UNLESS OTHERWISE SPECIFIED TOLERANCES FOR MILLIMETERS ARE: 0.5-6 = ± 0.2 6-30 = ± 0.4 30-120 = ± 0.6 120-315 = ± 1 315-1000 = ± 1.6 1000-2000 = ± 2.4	ISSUED			SIZE	FSCM NO.	DWG. NO.	REV.
4 HEX NUT	BRASS	NICKEL		A	99001	172217.DWG	NC			
5 FERRULE	COPPER	NICKEL	DO NOT SCALE DRAWING	SCALE	NA	PART NO.	172217	SHEET	1 OF 1	