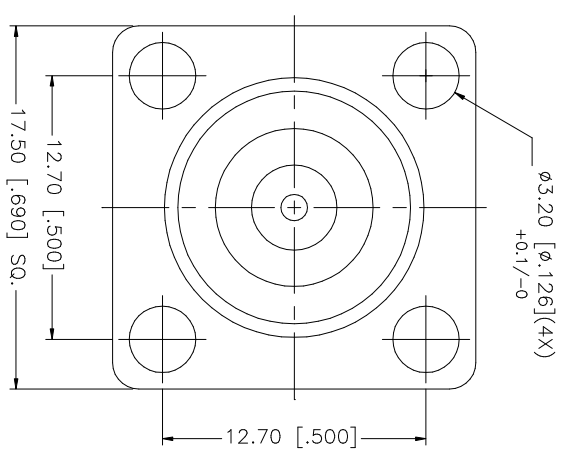
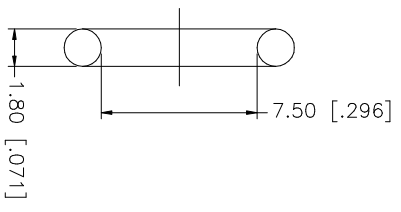
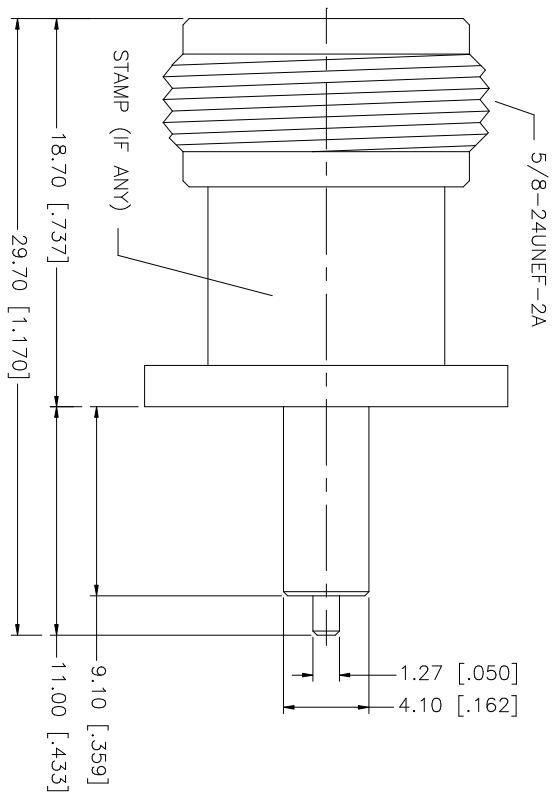


REV.	DATE	DESCRIPTION
A	06/05/03	UPDATE DRAWING FORMAT



DESCRIPTION	MATERIAL	FINISH	QTY	DO NOT SCALE DRAWING	APPROVALS	DATE	PART DESCRIPTION	DWG. NO.	REV.	SIZE	SCALE
8					UNLESS OTHERWISE SPECIFIED DIMENSIONS ARE IN MILLIMETERS; DIMENSIONS IN [ ] ARE IN INCHES AND FOR CUSTOMER REFERENCE ONLY.		<b>Amphenol Connex</b> N PANEL RECEPTACLE JACK EXTENDED TEFLON (.359"/.433")	172117.DWG	A	A	NA
7				UNLESS OTHERWISE SPECIFIED TOLERANCES FOR MILLIMETERS ARE:	DRAWN	06/05/03					
6				0.5 - 8mm ± 0.20mm	CHECKED						
5				8 - 30mm ± 0.40mm	ISSUED						
4	GASKET	SILICONE	1	30 - 120mm ± 0.50mm	SHEET	1 OF 1					
3	CONTACT PIN	PHOS. BRONZE	1	UNLESS OTHERWISE SPECIFIED TOLERANCES FOR INCHES ARE:	CAD FILE						
2	INSULATOR	TEFLON	1	.020 - .315 = ± 0.007"	C:/172/172117.DWG						
1	BODY	BRASS	1	.315 - 1.180 = ± 0.015" 1.180 - 4.724 = ± 0.020"							