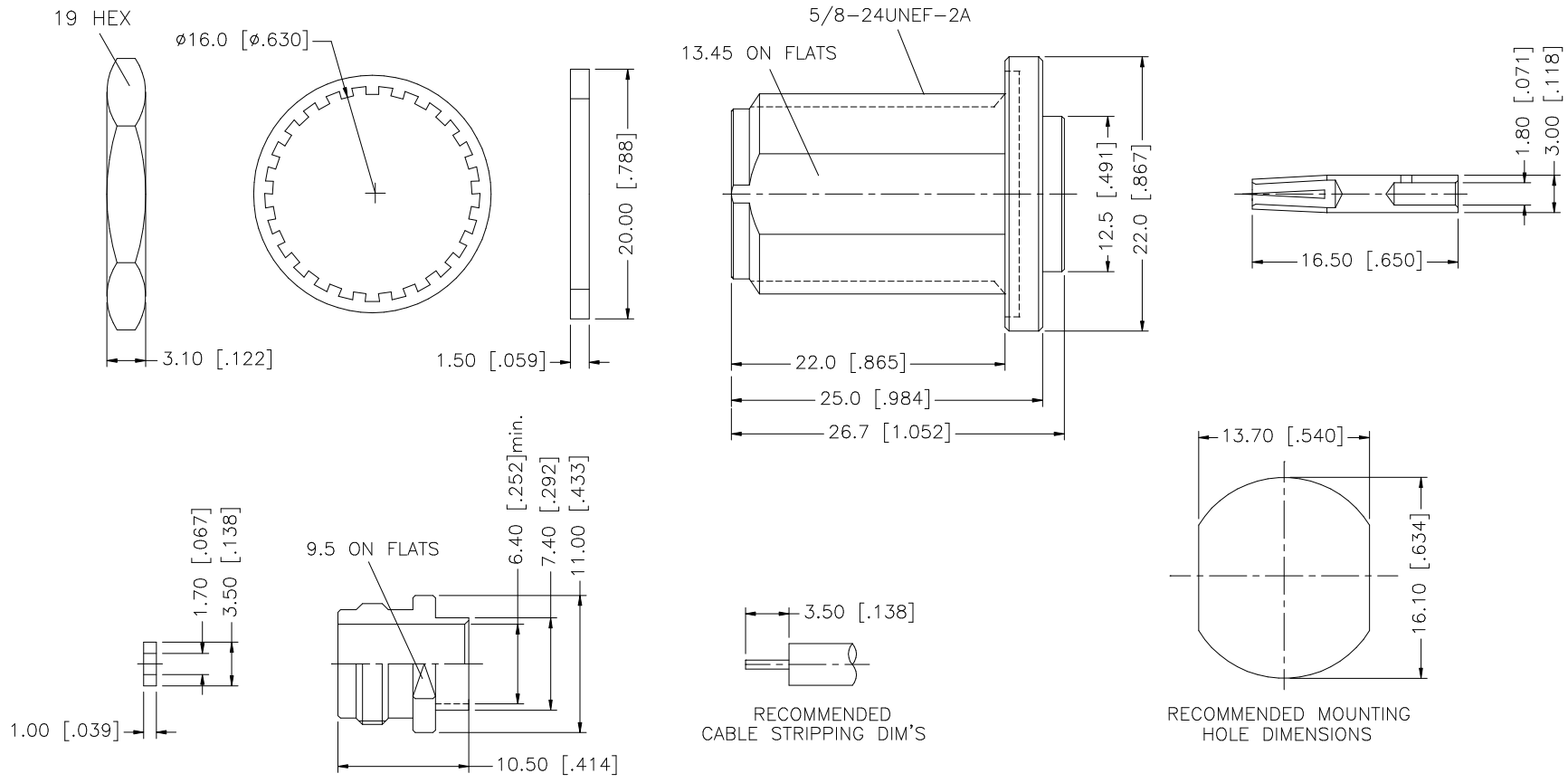


REV.	DATE	DESCRIPTION
NC	10/07/96	INITIAL RELEASE
A	06/12/06	REVISE BODY PLATING TO NEXCOTE/ UPDATE DRAWING FORMAT



QTY	DESCRIPTION	MATERIAL	FINISH
8	SOLDER NUT	BRASS	GOLD
7	INSULATOR	TEFLON	NATURAL
6	HEX NUT	BRASS	GOLD
5	LOCK WASHER	BRASS	GOLD
4	GASKET	SILICONE	RED
3	CONTACT PIN	BER. COPPER	GOLD
2	INSULATOR	TEFLON	NATURAL
1	BODY	BRASS	NEXCOTE

UNLESS OTHERWISE SPECIFIED DIMENSIONS ARE IN MILLIMETERS. DIMENSIONS IN [] ARE IN INCHES AND FOR CUSTOMER REFERENCE ONLY.

UNLESS OTHERWISE SPECIFIED TOLERANCES FOR MILLIMETERS ARE:
0.5 - 8mm ± 0.20mm
8 - 30mm ± 0.40mm
30 - 120mm ± 0.50mm

UNLESS OTHERWISE SPECIFIED TOLERANCES FOR INCHES ARE:
.020 - .315 ± 0.007"
.315 - 1.180 ± 0.015"
1.180 - 4.724 ± 0.020"

DO NOT SCALE DRAWING

APPROVALS	DATE
DRAWN G.R.S.	06/12/06
CHECKED	
ISSUED	
SHEET 1 OF 1	
CAD FILE	C:/172/172153.DWG

Amphenol Connex

PART DESCRIPTION
**N BULKHEAD DIRECT SOLDER JACK
(FOR .250" SEMI RIGID CABLE)**

PART NO.
172153

DWG. NO.	172153.DWG	REV.	A	SIZE	A	SCALE	NA
----------	------------	------	---	------	---	-------	----