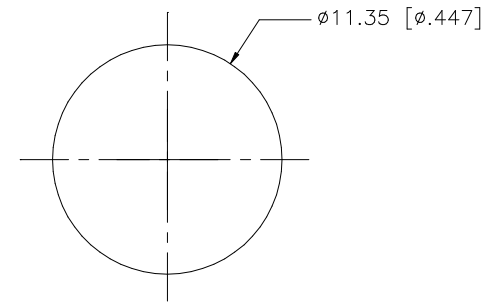
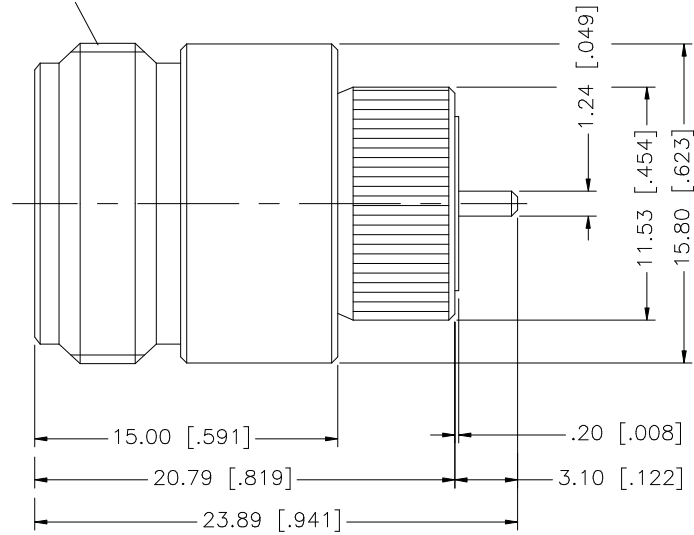


REV.	DATE	DESCRIPTION
NC	08/16/99	INITIAL RELEASE
A	05/29/07	UPDATE DRAWING FORMAT

5/8-24UNEF-2A



RECOMMENDED
MOUNTING HOLE

8					UNLESS OTHERWISE SPECIFIED DIMENSIONS ARE IN MILLIMETERS. DIMENSIONS IN [] ARE IN INCHES AND FOR CUSTOMER REFERENCE ONLY. UNLESS OTHERWISE SPECIFIED TOLERANCES FOR MILLIMETERS ARE: 0.5 - 8mm ± 0.20mm 8 - 30mm ± 0.40mm 30 - 120mm ± 0.50mm UNLESS OTHERWISE SPECIFIED TOLERANCES FOR INCHES ARE: .020 - .315 = ± 0.007" .315 - 1.180 = ± 0.015" 1.180 - 4.724 = ± 0.020"	APPROVALS	DATE	<h1 style="color: blue;">Amphenol Connex</h1>				
7						DRAWN	G.R.S.					05/29/07
6							CHECKED		PART NO. <h2 style="text-align: center;">172248</h2>			
5							ISSUED					
4						SHEET	1 OF 1	REV. A SIZE A SCALE NA				
3	CONTACT PIN	BER. COPPER	GOLD	1		CAD FILE						C:/172/172248.DWG
2	INSULATOR	TEFLON	NATURAL	1		DO NOT SCALE DRAWING						
1	BODY	BRASS	NEXCOTE	1								
	DESCRIPTION	MATERIAL	FINISH	QTY								