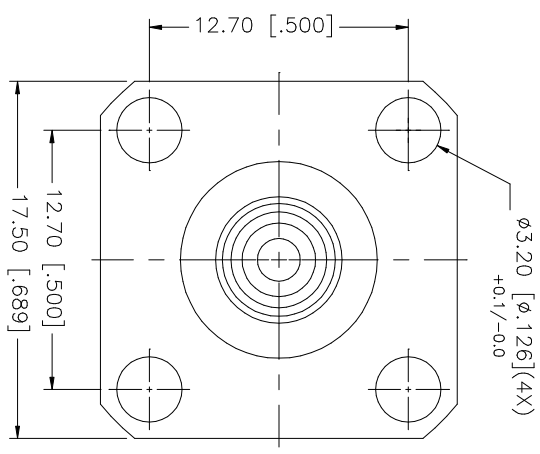
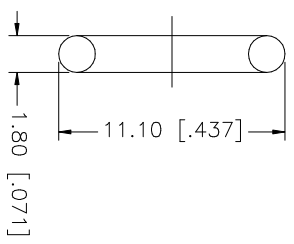
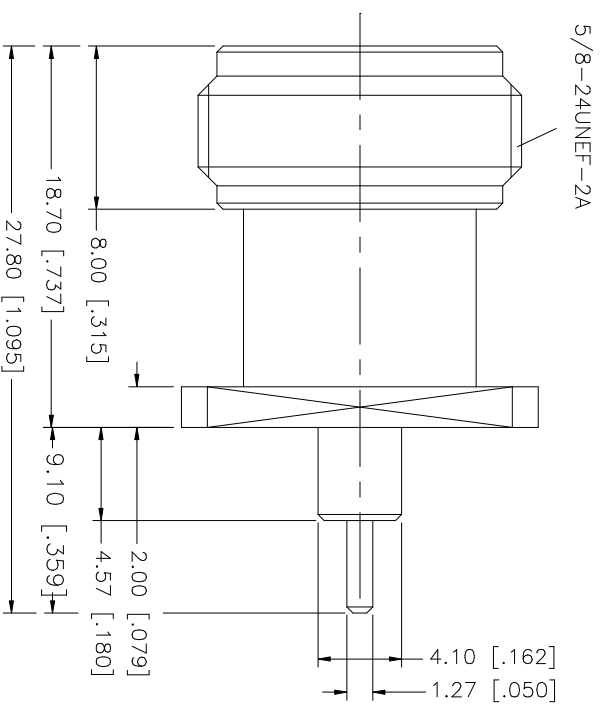


REV.	DATE	DESCRIPTION
A	03/06/03	UPDATE DRAWING FORMAT



8																						
7																						
6																						
5	GASKET	SILICONE	RED	1																		
4	RING	BRASS	NEXCOTE	1																		
3	CONTACT PIN	PHOS. BRONZE	GOLD	1																		
2	INSULATOR	TEFLON	NATURAL	1																		
1	BODY	BRASS	NEXCOTE	1																		
	DESCRIPTION	MATERIAL	FINISH	QTY																		
<p>UNLESS OTHERWISE SPECIFIED DIMENSIONS ARE IN MILLIMETERS; DIMENSIONS IN [] ARE IN INCHES AND FOR CUSTOMER REFERENCE ONLY. TOLERANCES FOR MILLIMETERS ARE:</p> <p>0.5 - 8mm ± 0.20mm 8 - 30mm ± 0.40mm 30 - 120mm ± 0.50mm</p> <p>UNLESS OTHERWISE SPECIFIED DIMENSIONS ARE IN INCHES; DIMENSIONS IN [] ARE IN INCHES AND FOR CUSTOMER REFERENCE ONLY. TOLERANCES FOR INCHES ARE:</p> <p>.020 - .315 = ± 0.007" .315 - 1.180 = ± 0.015" 1.180 - 4.1724 = ± 0.020"</p>											APPROVALS	DATE	<p>Amphenol Connex</p> <p>N PANEL RECEPTACLE JACK (EXTENDED TEFLON .180"-.359")</p>									
DO NOT SCALE DRAWING											CAD FILE	C:/172/172254.DWG	DWG. NO.	172254.DWG	REV.	A	SIZE	A	SCALE	NA		