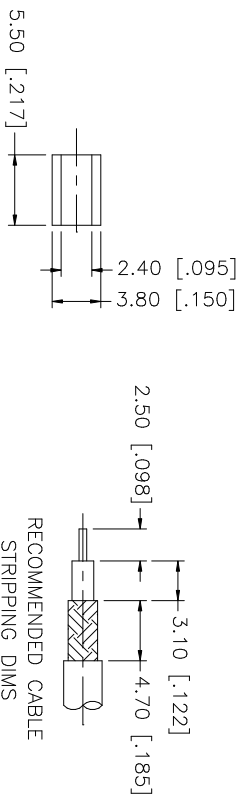
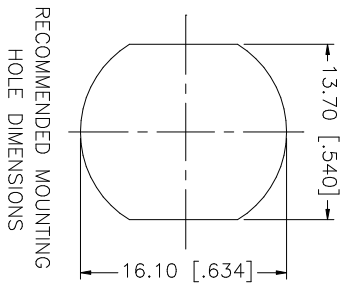
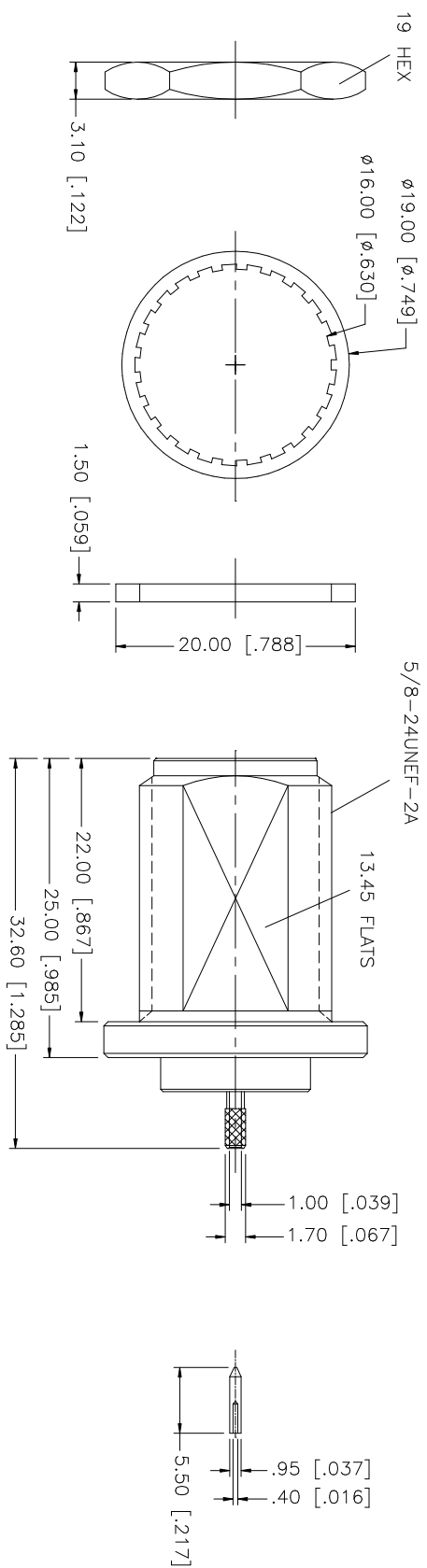


REV.	DATE	DESCRIPTION
NC	04/29/04	INITIAL RELEASE



NOTE:
 1. CRIMPED FERRULE
 HEX CRIMP SIZE .128"
 2. MAX. PANEL THICKNESS = 6.5mm

QTY	FINISH	MATERIAL	DESCRIPTION
1	NEXCOTE	COPPER	FERRULE
1	NEXCOTE	BRASS	HEX NUT
1	NEXCOTE	BRASS	LOCK WASHER
1	RED	SILICONE	GASKET
1	GOLD	PHOS. BRONZE	CONTACT PIN
1	NATURAL	TEFLON	INSULATOR
1	NEXCOTE	BRASS	BODY
			DESCRIPTION

APPROVALS	DATE
G.R.S.	04/29/04

CAD FILE	DWG. NO.	REV.	SIZE	SCALE
C:/172/172313.DWG	172313.DWG	NC	A	NA

UNLESS OTHERWISE SPECIFIED DIMENSIONS ARE IN MILLIMETERS. DIMENSIONS IN [] ARE IN INCHES AND FOR CUSTOMER REFERENCE ONLY. TOLERANCES FOR MILLIMETERS ARE:
0.5 - 8mm \pm 0.20mm
8 - 30mm \pm 0.40mm
30 - 120mm \pm 0.50mm
UNLESS OTHERWISE SPECIFIED TOLERANCES FOR INCHES ARE:
.020 - .315 \pm 0.007"
.315 - 1.180 \pm 0.015"
1.180 - 4.724 \pm 0.020"

PART DESCRIPTION	PART NO.
N BULKHEAD CRIMP JACK (FOR RG-178B/U, 196A/U CABLE)	172313