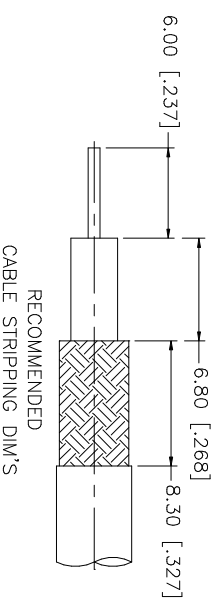
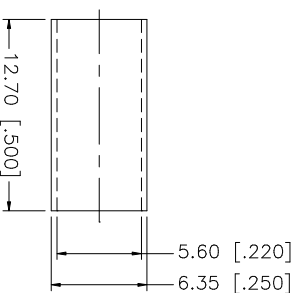
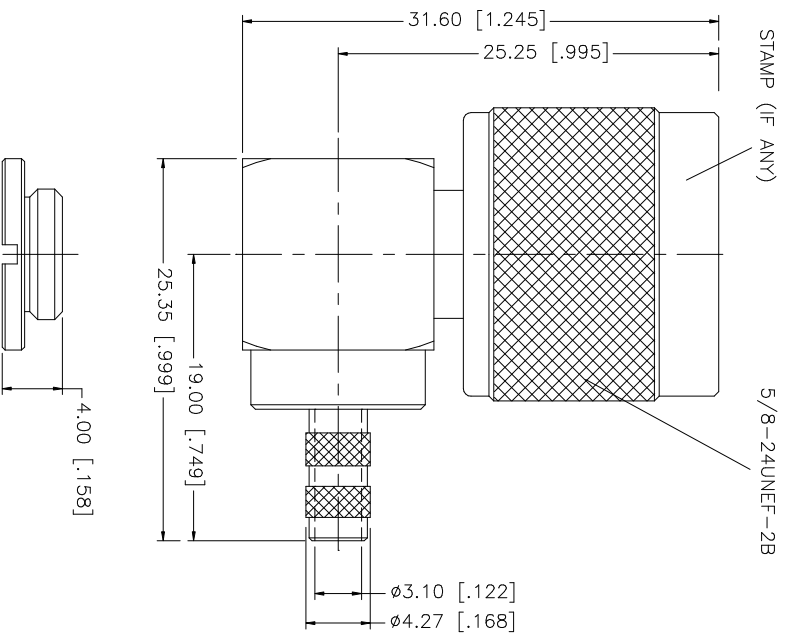


REV.	DATE	DESCRIPTION
A	11/21/02	MODIFY PLATING SPEC
B	01/24/03	UPDATE DRAWING FORMAT
C	01/07/04	MODIFY BODY LENGTH / COVER



NOTE:
 1. CRIMPED FERRULE
 HEX: CRIMP SIZE .213"
 2. CONTACT PIN TO SOLDER.

QTY	FINISH	MATERIAL	DESCRIPTION
1	NEXCOTE	BRASS	INSULATOR
1	NATURAL	TEFLON	CONTACT PIN
1	GOLD	BRASS	CONTACT PIN
1	NEXCOTE	COPPER	FERRULE
1	NEXCOTE	BRASS	CLAMP NUT

UNLESS OTHERWISE SPECIFIED DIMENSIONS ARE IN MILLIMETERS. DIMENSIONS IN [] ARE IN INCHES AND FOR CUSTOMER REFERENCE ONLY. TOLERANCES FOR MILLIMETERS ARE:	UNLESS OTHERWISE SPECIFIED DIMENSIONS ARE IN MILLIMETERS. DIMENSIONS IN [] ARE IN INCHES AND FOR CUSTOMER REFERENCE ONLY. TOLERANCES FOR INCHES ARE:
0.5 - 8mm ± 0.20mm	0.5 - .315 = ± 0.007"
8 - 30mm ± 0.40mm	.315 - 1.180 = ± 0.015"
30 - 120mm ± 0.50mm	1.180 - 4.724 = ± 0.020"

APPROVALS	DATE
DRAWN G.R.S.	01/07/04
CHECKED	
ISSUED	
SHEET 1 OF 1	

PART NO.	PART DESCRIPTION
1722178	N R/A CRIMP PLUG (FOR RG-55/U, 142A/U, 223/U, 400/U CABLE)

DO NOT SCALE DRAWING	CAD FILE	DWG. NO.	REV.	C	SIZE	A	SCALE	NA
	C:/1722/1722178.DWG	1722178.DWG		C		A		NA

Amphenol Connex