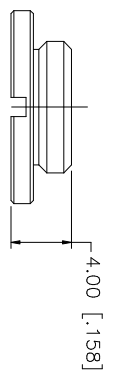
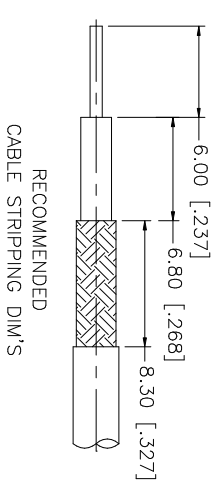
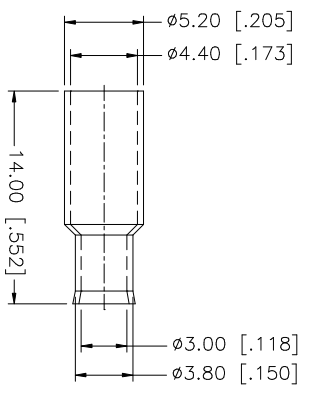
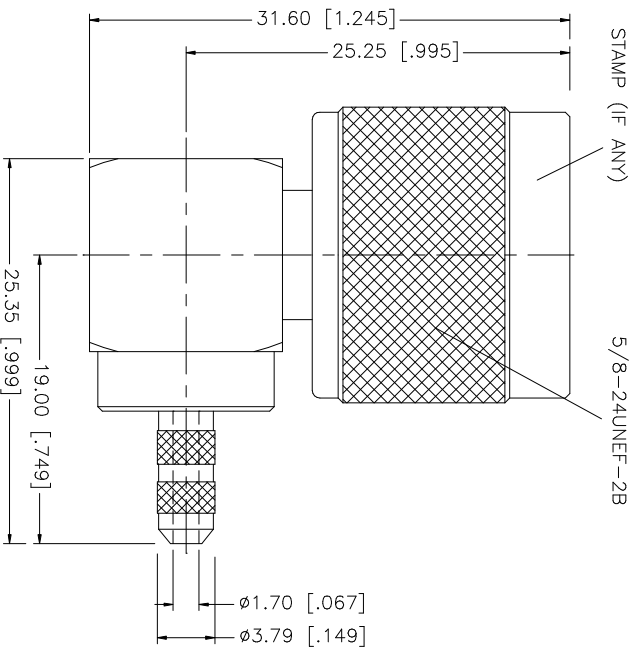


| REV. | DATE | DESCRIPTION |
|------|----------|--|
| A | 06/16/01 | MODIFY PLATING SPEC |
| B | 01/30/04 | UPDATE DRAWING FORMAT/MODIFY BODY LENGTH/COVER |



NOTE:
 1. CRIMPED FERRULE
 HEX. CRIMP SIZE .178"
 2. CONTACT PIN TO SOLDER.

| QTY | FINISH | MATERIAL | DESCRIPTION |
|-----|---------|----------|-------------|
| 1 | NEXCOTE | BRASS | CLAMP NUT |
| 1 | NEXCOTE | BRASS | FERRULE |
| 1 | GOLD | BRASS | CONTACT PIN |
| 1 | NATURAL | TEFLON | INSULATOR |
| 1 | NEXCOTE | BRASS | BODY |

| APPROVALS | DATE |
|--------------|----------|
| DRAWN G.R.S. | 01/30/04 |
| CHECKED | |
| ISSUED | |
| SHEET 1 OF 1 | |

| PART NO. | DWG. NO. | REV. | SIZE | SCALE |
|----------|-------------|------|------|-------|
| 1722180 | 1722180.DWG | B | A | NA |

| DO NOT SCALE DRAWING | UNLESS OTHERWISE SPECIFIED DIMENSIONS ARE IN MILLIMETERS DIMENSIONS IN [] ARE IN INCHES AND FOR CUSTOMER REFERENCE ONLY. |
|----------------------|--|
| | UNLESS OTHERWISE SPECIFIED TOLERANCES FOR MILLIMETERS ARE: 0.5 - 8mm ± 0.20mm 8 - 30mm ± 0.40mm 30 - 120mm ± 0.50mm |
| | UNLESS OTHERWISE SPECIFIED TOLERANCES FOR INCHES ARE: .020 - .315 = ± 0.007" .315 - 1.180 = ± 0.015" 1.180 - 4.724 = ± 0.020" |

| CAD FILE | APPROVALS | DATE |
|-------------------|-----------|------|
| C:/172/172180.DWG | | |

Amphenol Connex

PART DESCRIPTION
 N R/A CRIMP PLUG
 (FOR RG-174/U, 188/U, 316/U CABLE)