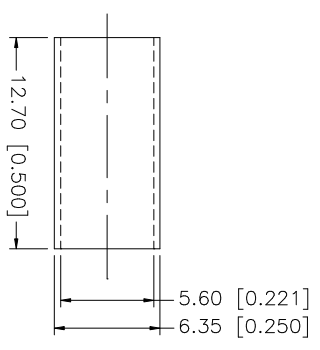
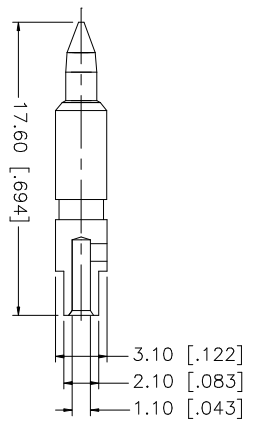
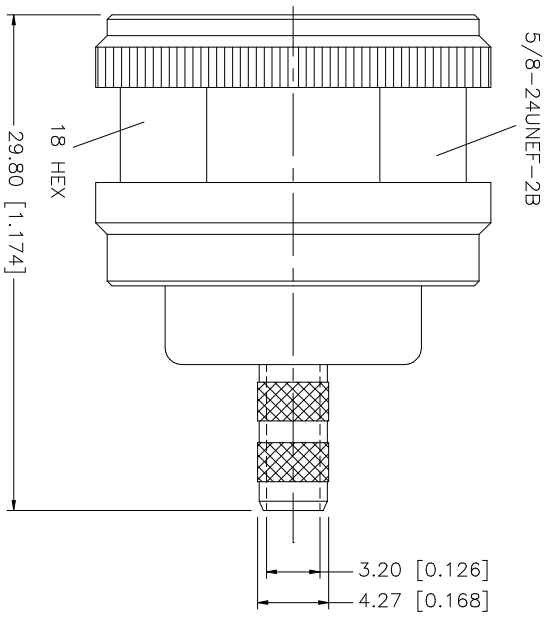
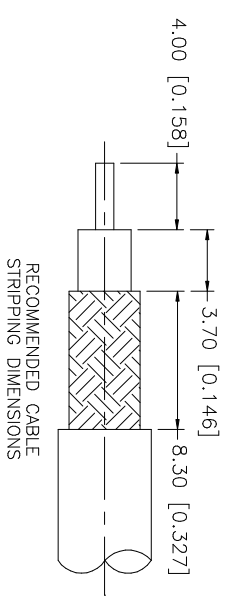


REV.	DATE	DESCRIPTION
A	05/24/04	UPDATE DRAWING FORMAT



CRIMP NOTES:

1. CRIMPED FERRULE
HEX CRIMP SIZE .213"
2. CRIMPED CONTACT PIN
HEX CRIMP SIZE .068"

QTY	FINISH	MATERIAL	DESCRIPTION
1	NEKOCOTE	BRASS	BARREL BODY
1	NEKOCOTE	BRASS	BARREL
1	NATURAL	TEFLON	INSULATOR
1	RED	SILICON	GASKET
1	GOLD	BRASS	CONTACT PIN
1	NEKOCOTE	BRASS	FERRULE

UNLESS OTHERWISE SPECIFIED DIMENSIONS ARE IN INCHES AND FOR CUSTOMER REFERENCE ONLY.	APPROVALS	DATE
UNLESS OTHERWISE SPECIFIED DIMENSIONS FOR MILLIMETERS ARE:	DRAWN G.R.S.	05/24/04
0.5 - 8mm ± 0.20mm	CHECKED	
8 - 30mm ± 0.40mm	ISSUED	
30 - 120mm ± 0.50mm	SHEET 1 OF 1	
UNLESS OTHERWISE SPECIFIED DIMENSIONS FOR INCHES ARE:	CAD FILE	
.020 - .315 ± 0.007"	C:/172/172142-11.DWG	
.315 - 1.180 ± 0.015"	DWG. NO.	172142-11.DWG
1.180 - 4.724 ± 0.020"	REV.	A
	SIZE	A
	SCALE	NA

<p style="text-align: center;">Amphenol Connex</p> <p style="text-align: center;">PART DESCRIPTION</p> <p style="text-align: center;">N CRIMP PLUG (FOR RG-55/U, 142A/U, 223/U, 400/U CABLE)</p>		<p>PART NO.</p> <p style="text-align: center;">172142-11</p>
---	--	--