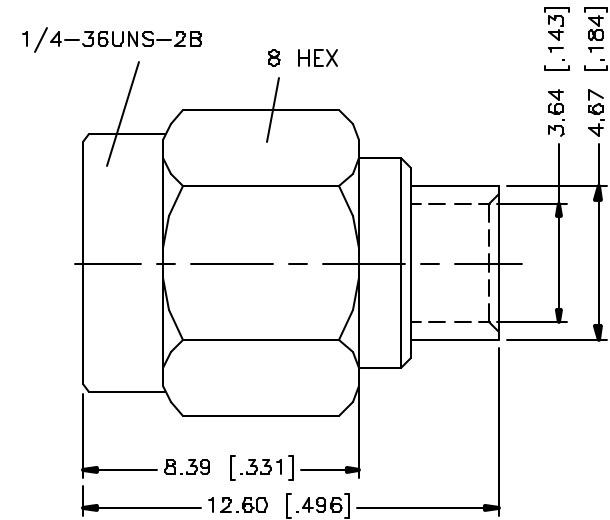
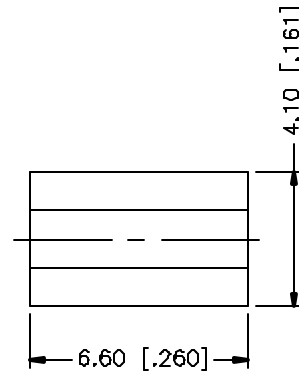
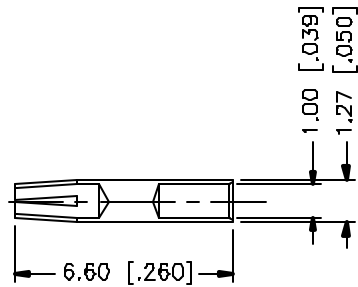
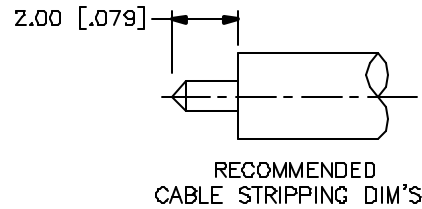


REV.	DATE	DESCRIPTION
A	03/06/05	UPDATE DRAWING FORMAT AND PART NO.



REV.	DATE	DESCRIPTION
A	03/06/05	UPDATE DRAWING FORMAT AND PART NO.

8					<p>UNLESS OTHERWISE SPECIFIED DIMENSIONS ARE IN MILLIMETERS. DIMENSIONS IN [] ARE IN INCHES AND FOR CUSTOMER REFERENCE ONLY.</p> <p>UNLESS OTHERWISE SPECIFIED TOLERANCES FOR MILLIMETERS ARE: D.5 - 8mm ± 0.20mm 8 - 30mm ± 0.40mm 30 - 120mm ± 0.50mm</p> <p>UNLESS OTHERWISE SPECIFIED TOLERANCES FOR INCHES ARE: .020 - .315 = ± 0.007" .315 - 1.180 = ± 0.015" 1.180 - 4.724 = ± 0.020"</p> <p>DO NOT SCALE DRAWING</p>	APPROVALS	DATE	<h1 style="color: blue; text-align: center;">Amphenol Connex</h1> <p style="text-align: center;">SMA STRAIGHT PLUG – REV. POLARITY (FOR .141" SEMI RIGID CABLE)</p>								
7				DRAWN		G.R.S.	03/06/05									
6				CHECKED												
5				ISSUED												
4				SHEET		1 OF 1										
3	CONTACT PIN	BRASS	GOLD	1												
2	INSULATOR	TEFLON	NATURAL	1												
1	BODY	BRASS	GOLD	1												
	DESCRIPTION	MATERIAL	FINISH	QTY	CAD FILE C:/132/132102RP.DWG		PART NO.	132102RP	DWG. NO.	132102RP.DWG	REV.	A	SIZE	A	SCALE	NA