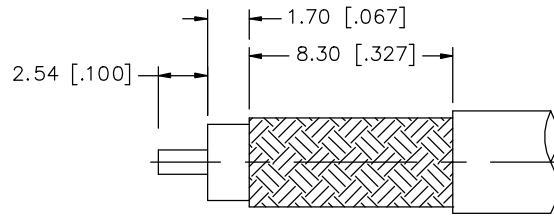
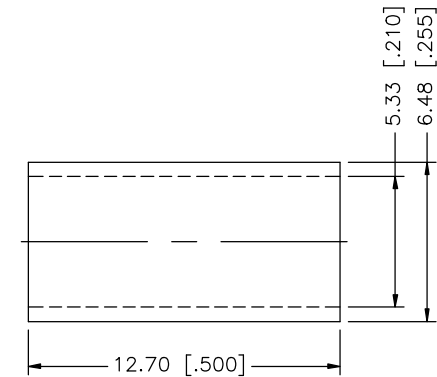
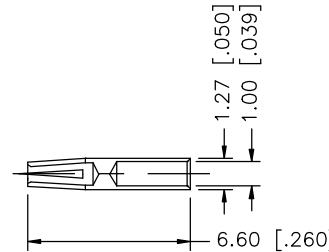
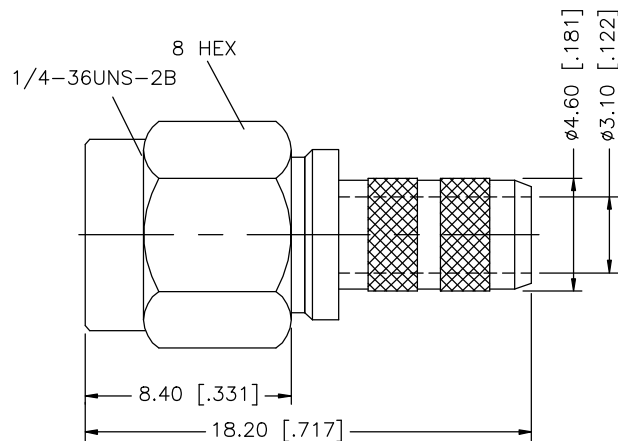


REV.	DATE	DESCRIPTION
NC	06/05/03	UPDATE DRAWING FORMAT



RECOMMENDED  
CABLE STRIPPING DIM'S



NOTE:

1. CRIMPED FERRULE  
HEX CRIMP SIZE .213"
2. CONTACT PIN TO SOLDER

DESCRIPTION	MATERIAL	FINISH	QTY	DO NOT SCALE DRAWING	APPROVALS	DATE	<h1 style="color: blue; margin: 0;">Amphenol Connex</h1>
8					DRAWN	G.R.S.	
7					CHECKED		PART DESCRIPTION <b>SMA REVERSE POLARITY CRIMP PLUG (FOR RG-58C/U, 58/U CABLE)</b>
6					ISSUED		
5					SHEET	1 OF 1	PART NO. <b>132113RP</b>
4	FERRULE	COPPER	GOLD	1	CAD FILE	C:/132/132113RP.DWG	
3	CONTACT PIN	BER. COPPER	GOLD	1			REV. NC
2	INSULATOR	TEFLON	NATURAL	1			SIZE A
1	BODY	BRASS	GOLD	1			SCALE NA

UNLESS OTHERWISE SPECIFIED DIMENSIONS ARE IN MILLIMETERS. DIMENSIONS IN [ ] ARE IN INCHES AND FOR CUSTOMER REFERENCE ONLY.

UNLESS OTHERWISE SPECIFIED TOLERANCES FOR MILLIMETERS ARE:  
 0.5 - 8mm ± 0.20mm  
 8 - 30mm ± 0.40mm  
 30 - 120mm ± 0.50mm

UNLESS OTHERWISE SPECIFIED TOLERANCES FOR INCHES ARE:  
 .020 - .315 = ± 0.007"  
 .315 - 1.180 = ± 0.015"  
 1.180 - 4.724 = ± 0.020"