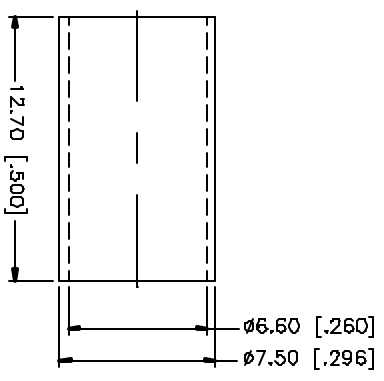
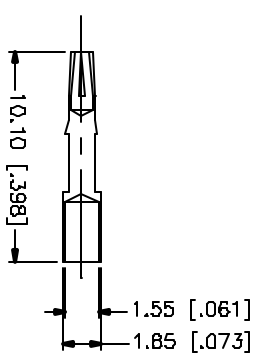
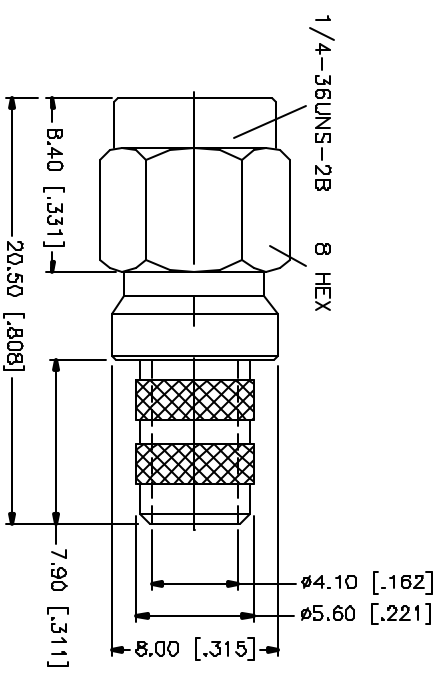
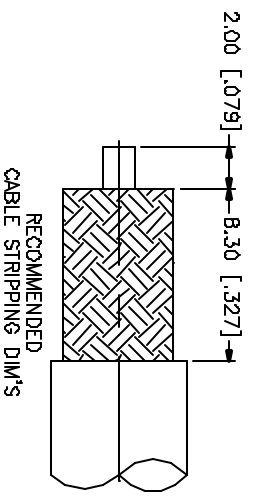


REV.	DATE	DESCRIPTION
NC	07/09/99	INITIAL RELEASE
A	05/01/04	UPDATE DRAWING FORMAT



UNLESS OTHERWISE SPECIFIED, DIMENSIONS ARE IN INCHES AND DECIMAL EQUIVALENTS. DIMENSIONS FOR MATERIALS ARE UNLESS OTHERWISE SPECIFIED.

TOLERANCES FOR UNLINED ARE:

0.3 - 0.001mm ± 0.20mm

B - 30mm ± 0.40mm

30 - 120mm ± 0.50mm

UNLESS OTHERWISE SPECIFIED, TOLERANCES FOR UNLINED ARE:

.020 - .315 - ± 0.007"

.315 - 1.180 - ± 0.015"

1.180 - 4.724 - ± 0.020"

APPROVALS	DATE
DRWN G.R.S.	05/01/04
CHECKED	
DESIGNED	
SHEET 1 OF 1	

<p><b>Amphenol Connex</b></p> <p>SMA REVERSE POLARITY CRIMP PLUG (FOR BELDEN RG-8/X, TIMES LMR-240MA)</p>	
PART NO.	132231RP
DWG. NO.	132231RP.DWG
REV.	A
SIZE	A
SCALE	NA

QTY	FINISH	MATERIAL	DESCRIPTION
1	GOLD	COPPER	FERRULE
1	GOLD	BER. COPPER	CONTACT PIN
1	GOLD	BRASS	SHELL/BODY