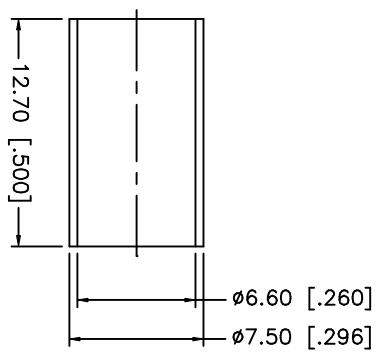
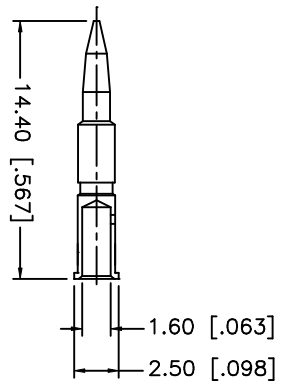
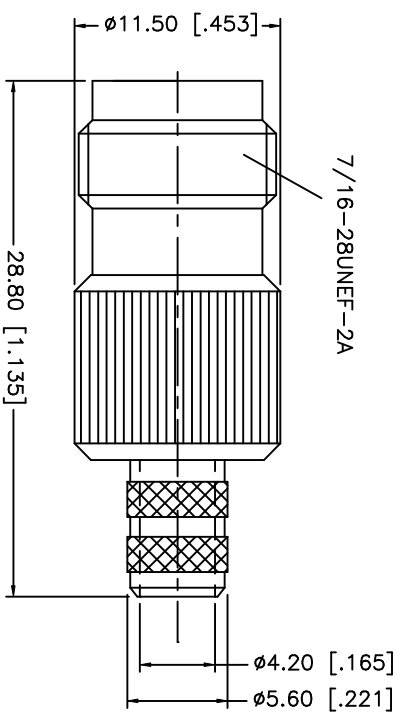
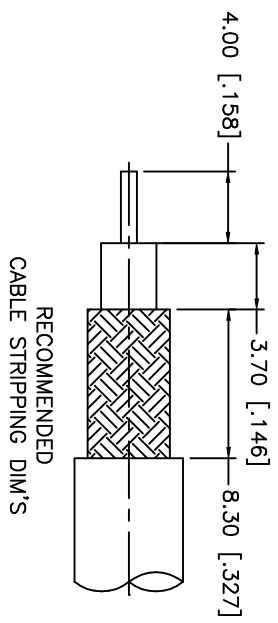


REV.	DATE	DESCRIPTION
NC	08/05/99	INITIAL RELEASE
A	07/20/05	UPDATE DRAWING FORMAT



UNLESS OTHERWISE SPECIFIED, DIMENSIONS ARE IN INCHES AND FOR CUSTOMER REFERENCE ONLY.
UNLESS OTHERWISE SPECIFIED, DIMENSIONS ARE IN MILLIMETERS FOR MILLIMETER AGE.
UNLESS OTHERWISE SPECIFIED, DIMENSIONS FOR MILLIMETER AGE:
0.5 - 30mm ± 0.20mm
8 - 30mm ± 0.40mm
30 - 120mm ± 0.50mm
UNLESS OTHERWISE SPECIFIED, DIMENSIONS FOR INCHES AGE:
.020 - .315 = ± 0.007*
.315 - 1.180 = ± 0.015*
1.180 - 4.724 = ± 0.020*

APPROVALS	DATE
DRAWN G.R.S.	07/20/05
CHECKED	
ISSUED	
SHEET 1 OF 1	

Amphenol Connex

**TNC CRIMP JACK - REVERSE POLARIZED
(FOR RG-8X, TIMES LMR-240 CABLE)**

PART NO. 122409RP

DWG. NO. 122409RP.DWG

REV. A

SIZE A

SCALE NA

DESCRIPTION	MATERIAL	FINISH	QTY
1 BODY	BRASS	NICKEL	1
2 INSULATOR	TEFLON	NATURAL	1
3 CONTACT PIN	PHOS. BRONZE	GOLD	1
4 FERRULE	COPPER	NICKEL	1
5			
6			
7			
8			

DESCRIPTION	MATERIAL	FINISH	QTY
DO NOT SCALE DRAWING			