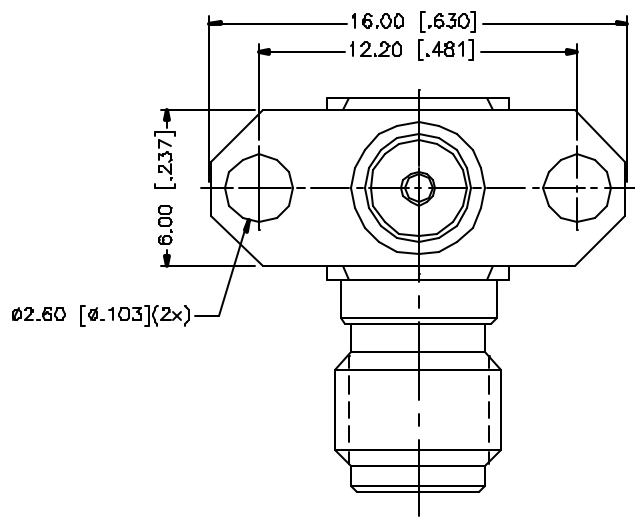
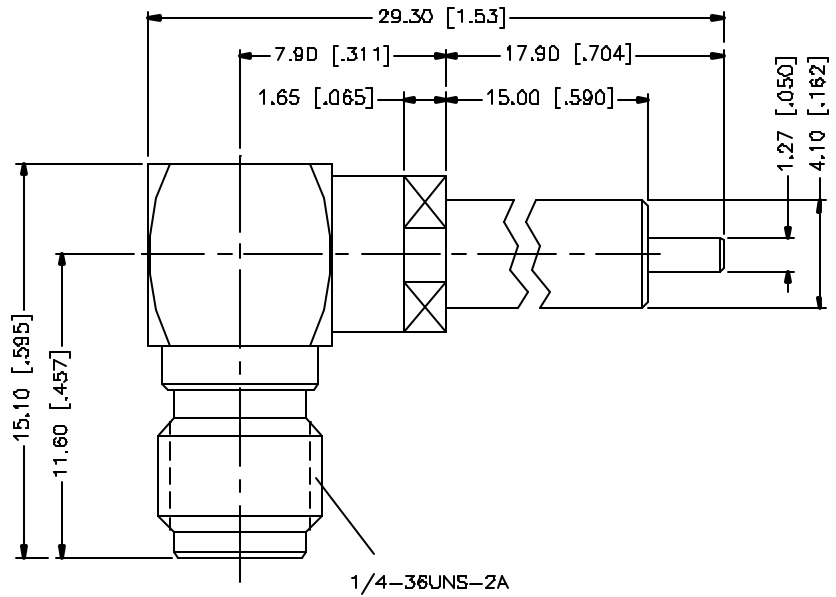


REV.	DATE	DESCRIPTION
NC	09/28/99	INITIAL RELEASE
A	05/01/04	UPDATE DRAWING FORMAT



REV.	DESCRIPTION	MATERIAL	FINISH	QTY
8				
7				
6				
5				
4	CONTACT PIN	BRASS	GOLD	1
3	INSULATOR	TEFLON	NATURAL	1
2	CONTACT PIN	BER. COPPER	GOLD	1
1	HOUSING/BODY	BRASS	GOLD	1
	DESCRIPTION	MATERIAL	FINISH	QTY

UNLESS OTHERWISE SPECIFIED DIMENSIONS ARE IN MILLIMETERS. DIMENSIONS IN [ ] ARE IN INCHES AND FOR CUSTOMER REFERENCE ONLY.

UNLESS OTHERWISE SPECIFIED TOLERANCES FOR MILLIMETERS ARE:  
0.5 - 8mm ± 0.20mm  
8 - 30mm ± 0.40mm  
30 - 120mm ± 0.50mm

UNLESS OTHERWISE SPECIFIED TOLERANCES FOR INCHES ARE:  
.020 - .315 = ± 0.007"  
.315 - 1.180 = ± 0.015"  
1.180 - 4.724 = ± 0.020"

DO NOT SCALE DRAWING

APPROVALS	DATE
DRAWN G.R.S.	05/01/04
CHECKED	
ISSUED	
SHEET 1 OF 1	
CAD FILE C:/132/132275.DWG	

**Amphenol Connex**

PART DESCRIPTION  
**SMA R/A PANEL JACK**

PART NO.  
**132275**

DWG. NO. 132275.DWG	REV. A	SIZE A	SCALE NA
---------------------	--------	--------	----------