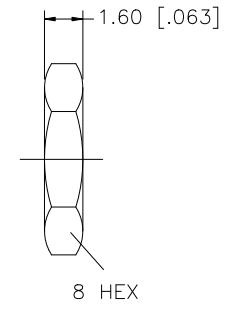
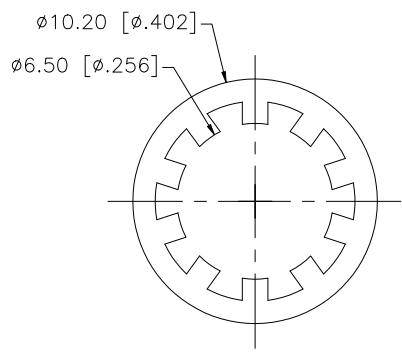
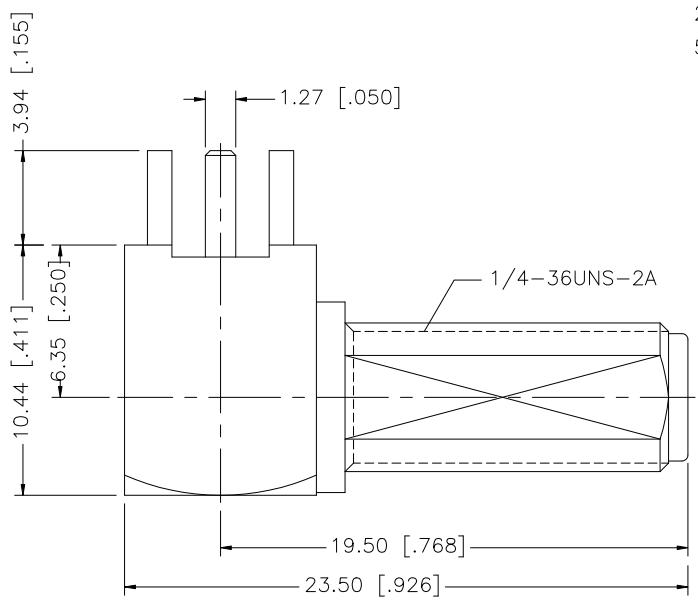
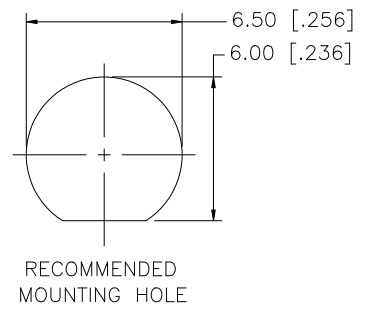
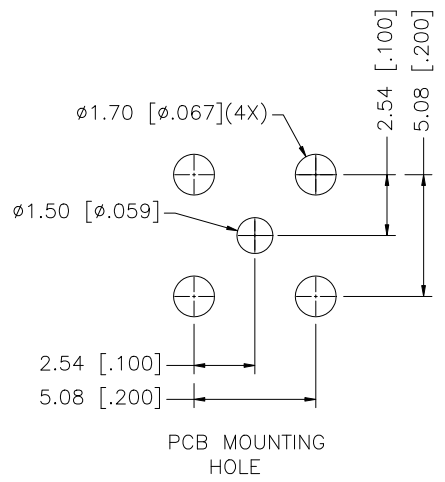
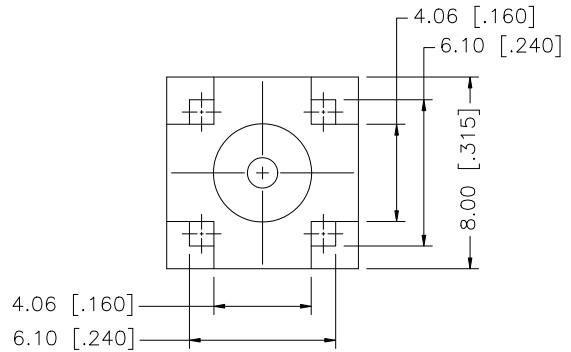


REV.	DATE	DESCRIPTION
A	03/17/03	MODIFY BODY LENGTH
B	07/31/07	REVISE PART ORIENTATION



QTY	DESCRIPTION	MATERIAL	FINISH
1	HOUSING/BODY	BRASS	GOLD
2	INSULATOR	TEFLON	NATURAL
3	CONTACT PIN	BER. COPPER	GOLD
4	INSULATOR	TEFLON	NATURAL
4	CONTACT PIN	BRASS	GOLD
5	CONTACT PIN	BRASS	GOLD
6	LOCK WASHER	BRASS	GOLD
7	HEX NUT	BRASS	GOLD

UNLESS OTHERWISE SPECIFIED DIMENSIONS ARE IN MILLIMETERS. DIMENSIONS IN [] ARE IN INCHES AND FOR CUSTOMER REFERENCE ONLY.

UNLESS OTHERWISE SPECIFIED TOLERANCES FOR MILLIMETERS ARE:
0.5 - 8mm ± 0.20mm
8 - 30mm ± 0.40mm
30 - 120mm ± 0.50mm

UNLESS OTHERWISE SPECIFIED TOLERANCES FOR INCHES ARE:
.020 - .315 = ± 0.007"
.315 - 1.180 = ± 0.015"
1.180 - 4.724 = ± 0.020"

DO NOT SCALE DRAWING

APPROVALS	DATE
DRAWN G.R.S.	07/31/07
CHECKED	
ISSUED	
SHEET 1 OF 1	
CAD FILE C:/132/132203-12.DWG	

Amphenol Connex

PART DESCRIPTION
SMA R/A BULKHEAD P.C. MOUNT JACK

PART NO. **132203-12**

DWG. NO. 132203-12.DWG	REV. B	SIZE A	SCALE NA
------------------------	--------	--------	----------