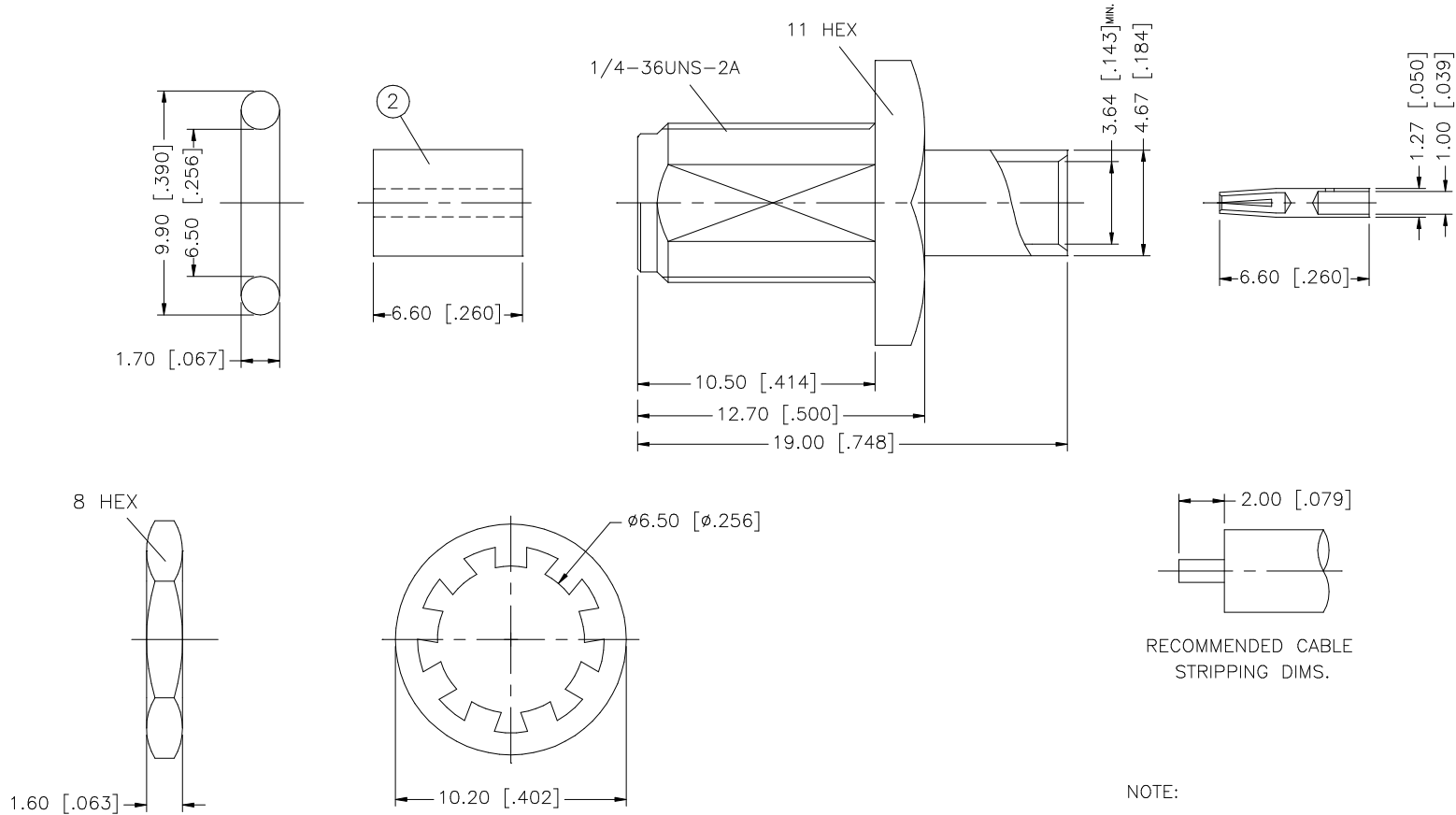


REV.	DATE	DESCRIPTION
B	01/12/98	ADD INSULATOR/ STRIPPING DIM'S
C	02/11/99	MODIFY 'O'-RING DIMENSIONS
D	05/22/03	UPDATE DRAWING FORMAT



NOTE:

- CONTACT PIN TO SOLDER
- MAX. PANEL THICKNESS = 2.4mm

REV.	DESCRIPTION	MATERIAL	FINISH	QTY	APPROVALS	DATE	Amphenol Connex			
8							PART DESCRIPTION SMA DIRECT SOLDER BULKHEAD JACK (FOR .141" SEMI-RIGID CABLE)			
7										
6	FERRULE	BRASS	GOLD	1	DRAWN G.R.S.	05/22/03	DWG. NO. 132106.DWG			
5	LOCK WASHER	BRASS	GOLD	1	CHECKED		REV. D			
4	GASKET	SILICONE	RED	1	ISSUED		SIZE A			
3	CONTACT PIN	BER. COPPER	GOLD	1	SHEET 1 OF 1		SCALE NA			
2	INSULATOR	TEFLON	NATURAL	1						
1	BODY	BRASS	GOLD	1						
DESCRIPTION					CAD FILE					
MATERIAL					C:/132/132106.DWG					
FINISH					DO NOT SCALE DRAWING					
QTY										

UNLESS OTHERWISE SPECIFIED DIMENSIONS ARE IN MILLIMETERS. DIMENSIONS IN [] ARE IN INCHES AND FOR CUSTOMER REFERENCE ONLY.

UNLESS OTHERWISE SPECIFIED TOLERANCES FOR MILLIMETERS ARE:
0.5 - 8mm ± 0.20mm
8 - 30mm ± 0.40mm
30 - 120mm ± 0.50mm

UNLESS OTHERWISE SPECIFIED TOLERANCES FOR INCHES ARE:
.020 - .315 = ± 0.007"
.315 - 1.180 = ± 0.015"
1.180 - 4.724 = ± 0.020"