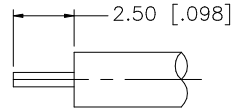
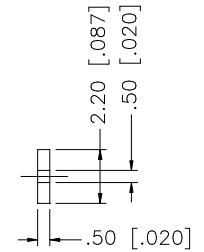
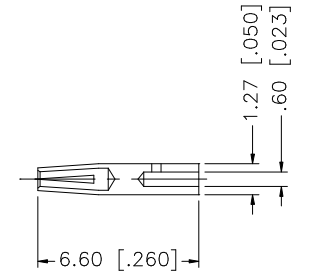
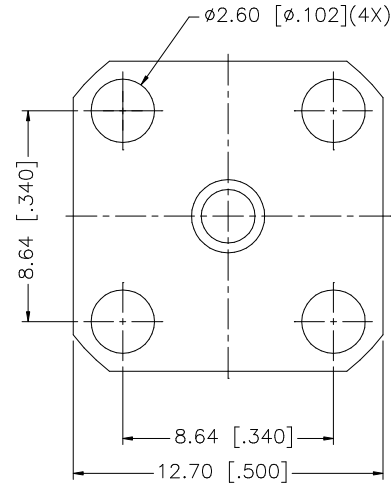
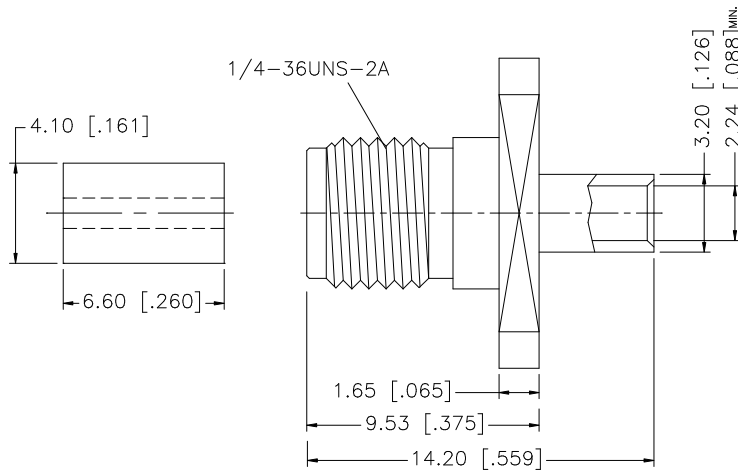


REV.	DATE	DESCRIPTION
NC	01/29/03	INITIAL RELEASE



RECOMMENDED CABLE STRIPPING DIMS.



NOTE: CONTACT PIN TO SOLDER

8				UNLESS OTHERWISE SPECIFIED DIMENSIONS ARE IN MILLIMETERS. DIMENSIONS IN [] ARE IN INCHES AND FOR CUSTOMER REFERENCE ONLY.	APPROVALS	DATE	Amphenol Connex						
7					DRAWN	G.R.S.					01/29/03		
6				UNLESS OTHERWISE SPECIFIED TOLERANCES FOR MILLIMETERS ARE: 0.5 - 8mm ± 0.20mm 8 - 30mm ± 0.40mm 30 - 120mm ± 0.50mm	CHECKED		PART DESCRIPTION SMA SEMI-RIGID PANEL JACK (FOR .085", .086" CABLE)						
5					ISSUED								
4	INSULATOR	TEFLON	NATURAL	1	UNLESS OTHERWISE SPECIFIED TOLERANCES FOR INCHES ARE: .020 - .315 = ± 0.007" .315 - 1.180 = ± 0.015" 1.180 - 4.724 = ± 0.020"	SHEET	1 OF 1	PART NO. 132107					
3	CONTACT PIN	BER. COPPER	GOLD	1		CAD FILE	C:/132/132107.DWG						
2	INSULATOR	TEFLON	NATURAL	1	DO NOT SCALE DRAWING	DWG. NO.	132107.DWG	REV.	NC	SIZE	A	SCALE	NA
1	BODY	BRASS	GOLD	1									