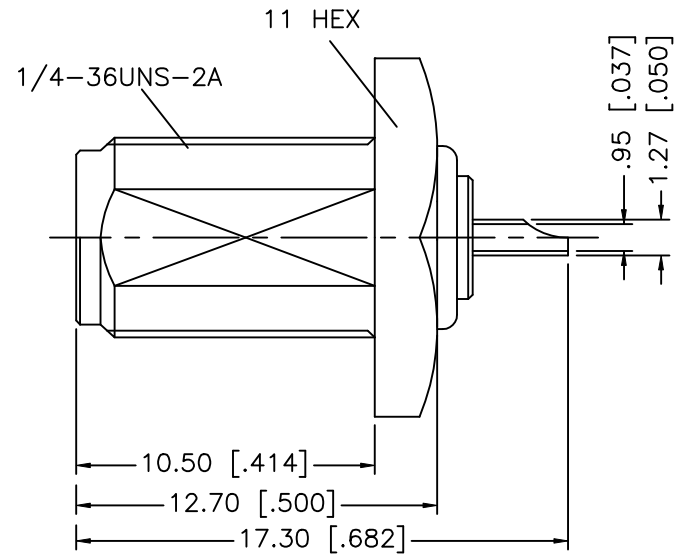
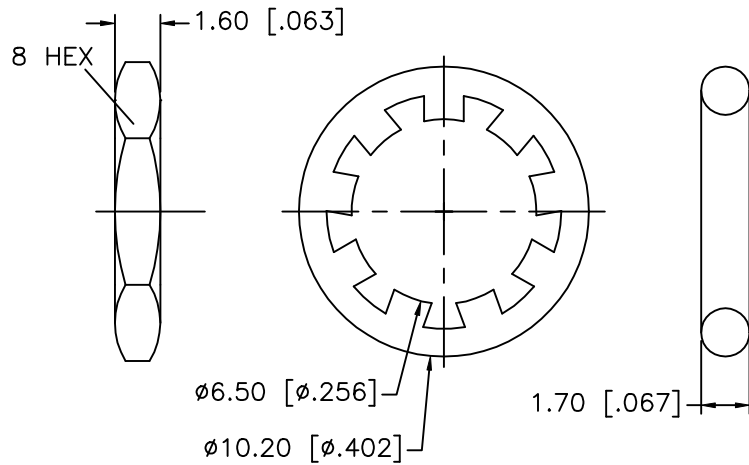
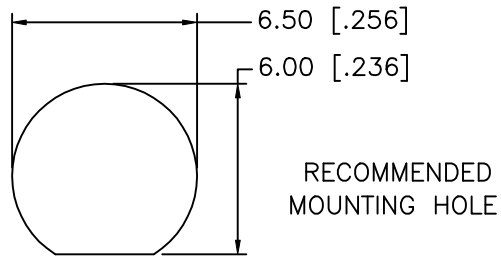


REV.	DATE	DESCRIPTION
NC	03/25/02	INITIAL RELEASE



8			
7			
6	HEX NUT	BRASS	GOLD
5	LOCK WASHER	BRASS	GOLD
4	GASKET	SILICONE	RED
3	CONTACT PIN	BER. COPPER	GOLD
2	INSULATOR	TEFLON	NATURAL
1	BODY	BRASS	GOLD
	DESCRIPTION	MATERIAL	FINISH

UNLESS OTHERWISE SPECIFIED
DIMENSIONS ARE IN MILLIMETERS

DIMENSIONS IN []
ARE IN INCHES FOR
CUSTOMER REFERENCE ONLY

UNLESS OTHERWISE SPECIFIED
TOLERANCES FOR INCHES ARE:

.XXX = ± 0.005"
.XX = ± 0.010"
.X = ± 0.020"

DO NOT SCALE DRAWING

APPROVALS	DATE
DRAWN G.R.S.	03/25/02
CHECKED	
ISSUED	

Amphenol - Connex
CONNECTOR CORPORATION

TITLE
SMA BULKHEAD RECEPT. JACK

SIZE A	FSCM NO. 99001	DWG. NO. 132138.DWG	REV. NC
SCALE NA	PART NO. 132138	SHEET 1 OF 1	