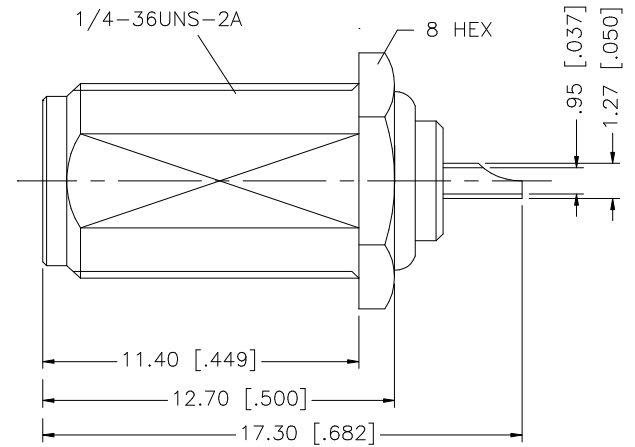
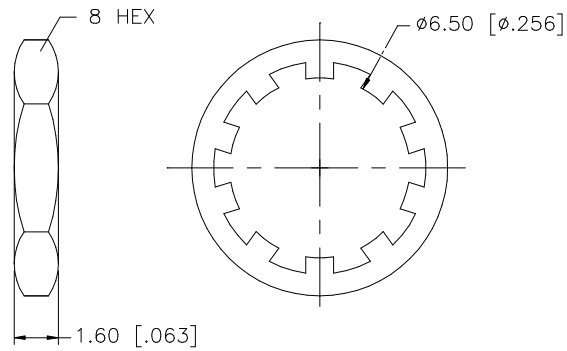
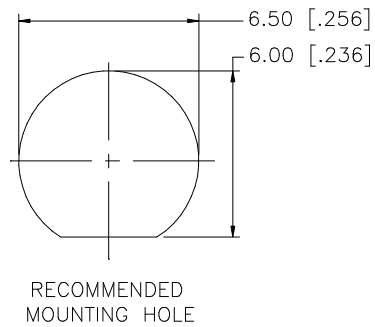


REV.	DATE	DESCRIPTION
A	01/25/04	UPDATE DRAWING FORMAT



8					<p>UNLESS OTHERWISE SPECIFIED DIMENSIONS ARE IN MILLIMETERS. DIMENSIONS IN [] ARE IN INCHES AND FOR CUSTOMER REFERENCE ONLY.</p> <p>UNLESS OTHERWISE SPECIFIED TOLERANCES FOR MILLIMETERS ARE: 0.5 - 8mm ± 0.20mm 8 - 30mm ± 0.40mm 30 - 120mm ± 0.50mm</p> <p>UNLESS OTHERWISE SPECIFIED TOLERANCES FOR INCHES ARE: .020 - .315 = ± 0.007" .315 - 1.180 = ± 0.015" 1.180 - 4.724 = ± 0.020"</p> <p>DO NOT SCALE DRAWING</p>	APPROVALS	DATE	<h1 style="color: blue; text-align: center;">Amphenol Connex</h1>						
7						DRAWN	G.R.S.				01/25/04			
6							CHECKED		PART DESCRIPTION					
5	HEX NUT	BRASS	GOLD	1			ISSUED		SMA BULKHEAD RECEPT. JACK					
4	LOCK WASHER	BRASS	GOLD	1			SHEET	1 OF 1	PART NO.					
3	CONTACT PIN	BER. COPPER	GOLD	1			CAD FILE			132139				
2	INSULATOR	TEFLON	NATURAL	1			C:/132/132139.DWG			DWG. NO.	132139.DWG	REV. A	SIZE A	SCALE NA
1	BODY	BRASS	GOLD	1										