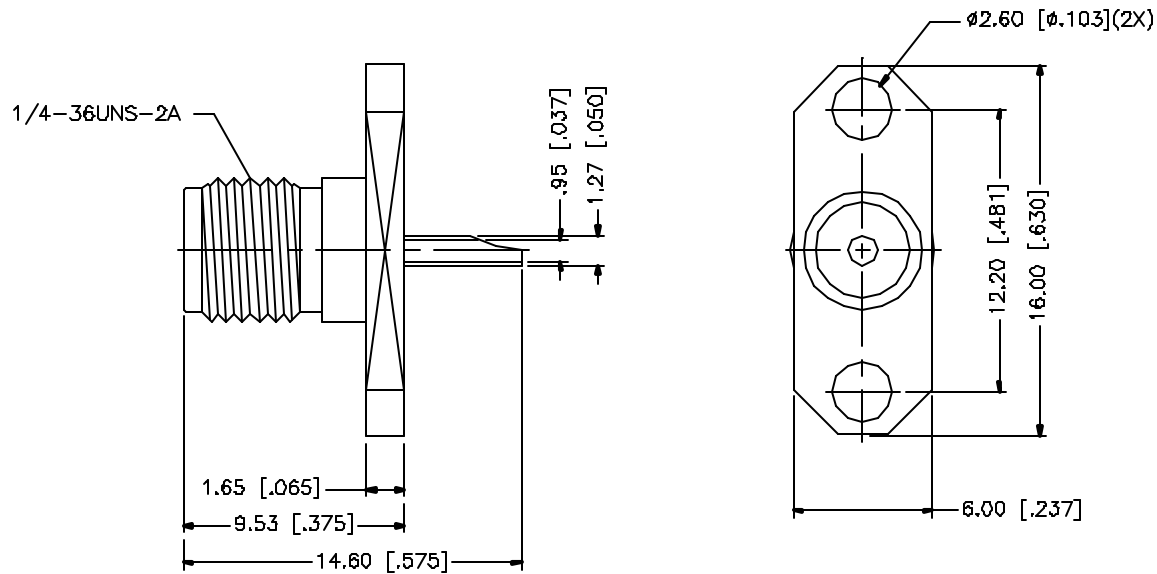


REV.	DATE	DESCRIPTION
NC	05/01/04	INITIAL RELEASE



8					<small>UNLESS OTHERWISE SPECIFIED DIMENSIONS ARE IN MILLIMETERS. DIMENSIONS IN [] ARE IN INCHES AND FOR CUSTOMER REFERENCE ONLY.</small> <small>UNLESS OTHERWISE SPECIFIED TOLERANCES FOR MILLIMETERS ARE:</small> 0.5 - 30mm ± 0.20mm 30 - 120mm ± 0.40mm 120 - 120mm ± 0.50mm <small>UNLESS OTHERWISE SPECIFIED TOLERANCES FOR INCHES ARE:</small> .020 - .315 = ± 0.007" .315 - 1.180 = ± 0.015" 1.180 - 4.724 = ± 0.020"	APPROVALS	DATE	<h1 style="color: blue; text-align: center;">Amphenol Connex</h1>	
7				DRAWN		G.R.S.	05/01/04		PART DESCRIPTION <h2 style="text-align: center;">SMA PANEL RECEPTACLE JACK</h2>
6				CHECKED					
5				ISSUED					
4					SHEET	1 OF 1		PART NO.	132143
3	CONTACT PIN	BER. COPPER	GOLD	1				DWG. NO.	132143.DWG
2	INSULATOR	TEFLON	NATURAL	1				REV.	NC
1	BODY	BRASS	GOLD	1				SIZE	A
	DESCRIPTION	MATERIAL	FINISH	QTY	DO NOT SCALE DRAWING			CAD FILE	C:/132/132143.DWG
								SCALE	NA