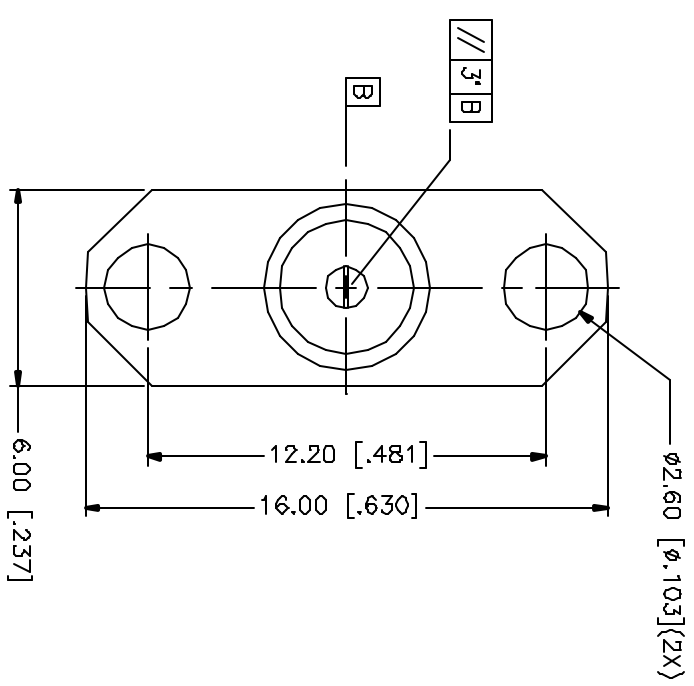
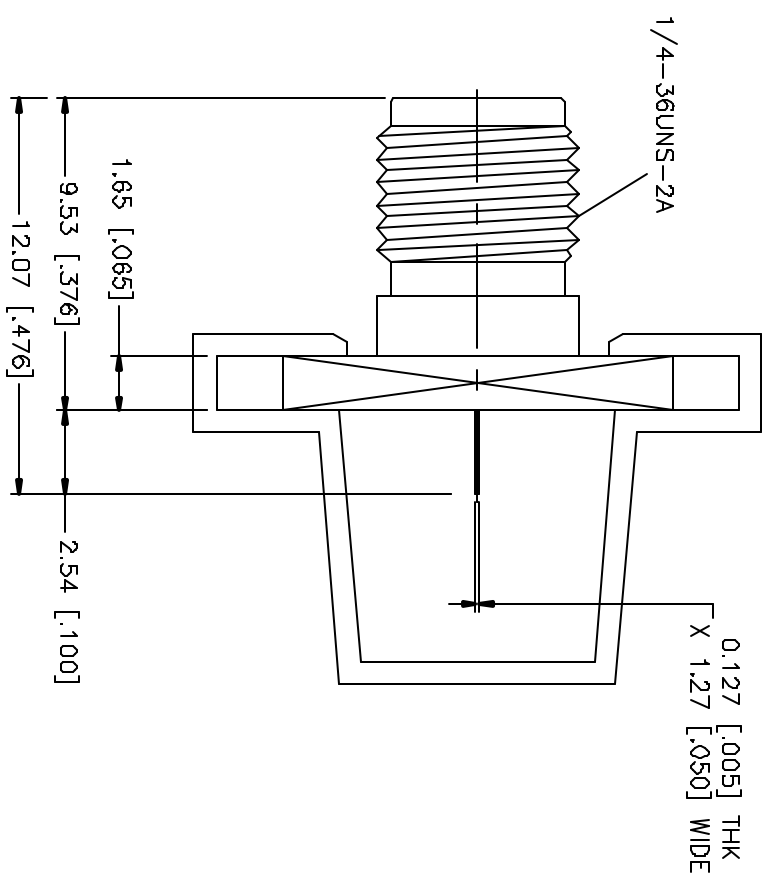


REV.	DATE	DESCRIPTION
NC	10/31/04	INITIAL RELEASE



REV	DESCRIPTION	MATERIAL	FINISH	QTY
B				
7				
6				
5				
4	COVER	P.E.	NATURAL	1
3	CONTACT PIN	BER. COPPER	BOLD	1
2	INSULATOR	TEFLON	NATURAL	1
1	BODY	BRASS	GOLD	1
	DESCRIPTION	MATERIAL	FINISH	QTY

UNLESS OTHERWISE SPECIFIED DIMENSIONS ARE IN MILLIMETERS. DIMENSIONS IN () ARE IN INCHES AND FOR CUSTOMER REFERENCE ONLY.	
TOLERANCES FOR MILLIMETERS ARE: 0.5 - 3.0mm ± 0.20mm 3.0 - 120mm ± 0.50mm 120mm - 1.500mm ± 0.50mm	
TOLERANCES FOR INCHES ARE: .020 - .315 = ± 0.007" .315 - 1.180 = ± 0.015" 1.180 - 4.724 = ± 0.020"	
DO NOT SCALE DRAWING	

APPROVALS	DATE
DRAWN G.R.S.	10/31/04
CHECKED	
ISSUED	
TRICET 1 OF 1	

DWG. NO.	1 321 67.DWG	REV.	NC	SIZE	A	SCALE	NA
----------	--------------	------	----	------	---	-------	----

Amphenol Connex	
PART DESCRIPTION SMA PANEL RECEPTACLE JACK (FLAT TAB CONTACT)	
PART NO.	1 321 67