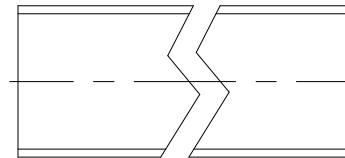
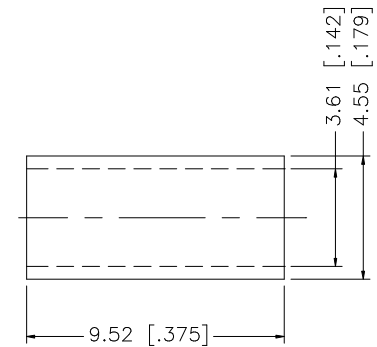
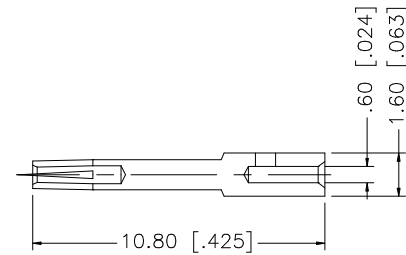
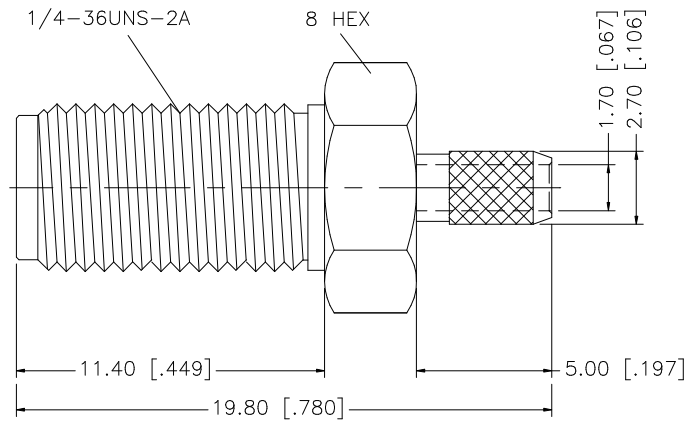
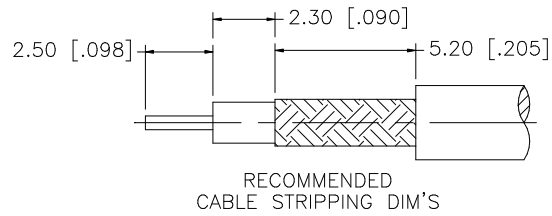


REV.	DATE	DESCRIPTION
A-1	01/25/04	UPDATE DRAWING FORMAT



NOTE:

1. CRIMPED FERRULE
HEX CRIMP SIZE .151"
2. CONTACT PIN TO SOLDER
3. MAX. PANEL THICKNESS = 3.2mm

QTY	FINISH	MATERIAL	DESCRIPTION
1	GOLD	BRASS	BODY
1	NATURAL	TEFLON	INSULATOR
1	GOLD	BER. COPPER	CONTACT PIN
1	GOLD	COPPER	FERRULE
1	BLACK		HEAT SHRINK TUBING

UNLESS OTHERWISE SPECIFIED DIMENSIONS ARE IN MILLIMETERS. DIMENSIONS IN [] ARE IN INCHES AND FOR CUSTOMER REFERENCE ONLY.		APPROVALS	DATE	<h1 style="color: blue;">Amphenol Connex</h1>
8		DRAWN G.R.S.	01/25/04	
7		CHECKED		
6		ISSUED		
5		SHEET 1 OF 1		
UNLESS OTHERWISE SPECIFIED TOLERANCES FOR MILLIMETERS ARE: 0.5 - 8mm ± 0.20mm 8 - 30mm ± 0.40mm 30 - 120mm ± 0.50mm UNLESS OTHERWISE SPECIFIED TOLERANCES FOR INCHES ARE: .020 - .315 = ± 0.007" .315 - 1.180 = ± 0.015" 1.180 - 4.724 = ± 0.020"				PART DESCRIPTION <h3 style="text-align: center;">SMA STRAIGHT CRIMP JACK (FOR RG-316/U DOUBLE BRAID CABLE)</h3>
DO NOT SCALE DRAWING				PART NO. 132198
		CAD FILE C:/132/132198.DWG	DWG. NO. 132198.DWG	REV. A-1
			SIZE A	SCALE NA