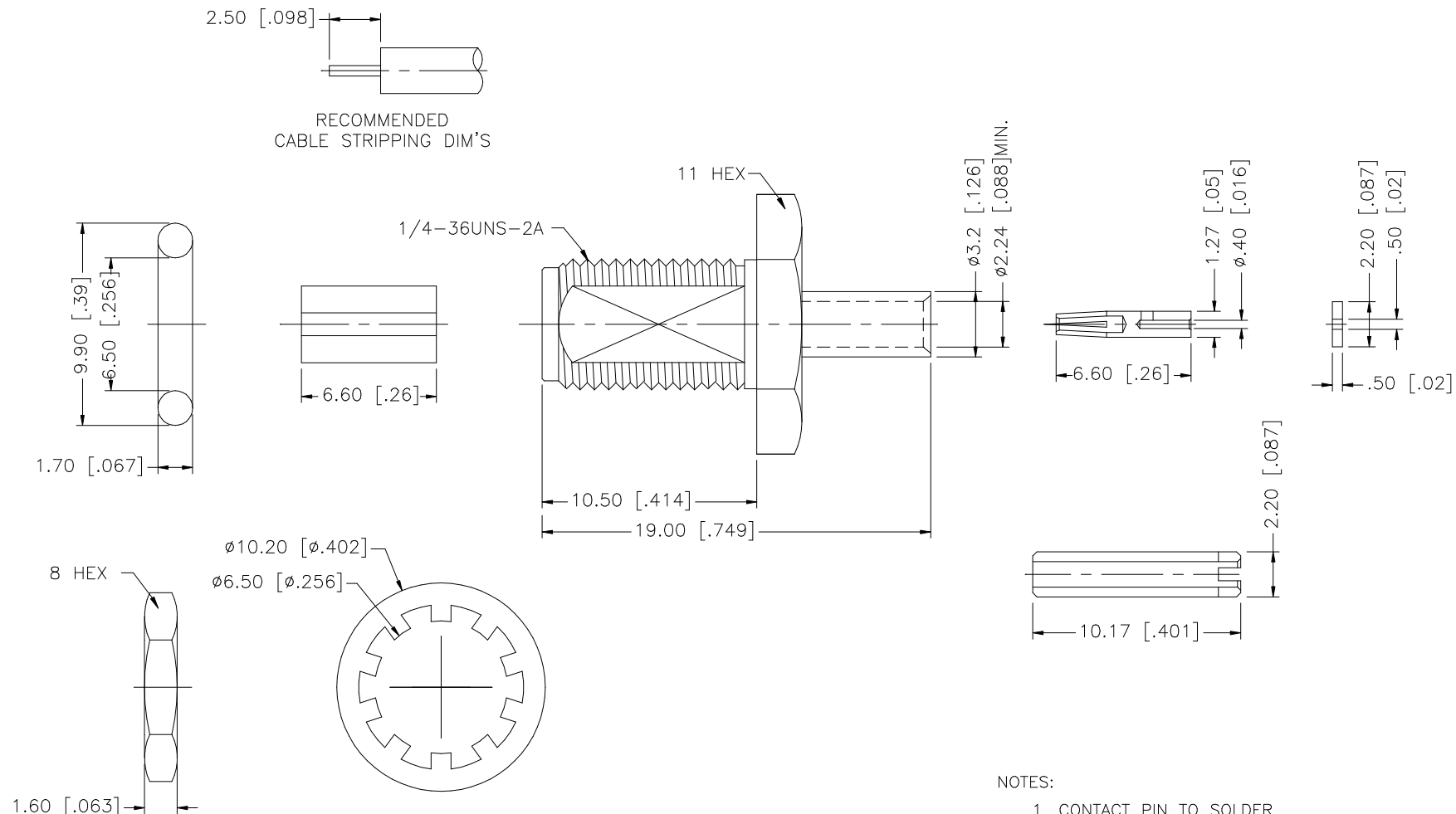


| REV. | DATE     | DESCRIPTION        |
|------|----------|--------------------|
| A    | 11/12/03 | MODIFY BODY LENGTH |



NOTES:

- CONTACT PIN TO SOLDER
- MAX. PANEL THICKNESS = 2.4mm

| DESCRIPTION | MATERIAL    | FINISH      | QTY     | DO NOT SCALE DRAWING | APPROVALS                  | DATE   | Amphenol Connex   |                           |  |  |          |
|-------------|-------------|-------------|---------|----------------------|----------------------------|--------|---|---------------------------|--|--|----------|
| 8           |             |             |         |                      |                            |        | PART DESCRIPTION<br><b>SMA DIRECT SOLDER BULKHEAD JACK<br/>(FOR .047" SEMI RIGID CABLE)</b> |                           |  |  |          |
| 7           | SOLDER NUT  | BRASS       | GOLD    | 1                    | DRAWN                      | G.R.S. |   |                           |  |  | 11/12/03 |
| 6           | HEX NUT     | BRASS       | GOLD    | 1                    | CHECKED                    |        |   | PART NO.<br><b>132251</b> |  |  |          |
| 5           | LOCK WASHER | BRASS       | GOLD    | 1                    | ISSUED                     |        |   |                           |  |  |          |
| 4           | GASKET      | SILICONE    | RED     | 1                    | SHEET                      | 1 OF 1 |   | DWG. NO. 132251.DWG       |  |  |          |
| 3           | CONTACT PIN | BER. COPPER | GOLD    | 1                    |                            |        |   |                           |  |  |          |
| 2           | INSULATOR   | TEFLON      | NATURAL | 1                    |                            |        |   |                           |  |  |          |
| 1           | BODY        | BRASS       | GOLD    | 1                    |                            |        |   |                           |  |  |          |
|             |             |             |         |                      | CAD FILE C:/132/132251.DWG |        |   |                           |  |  |          |

UNLESS OTHERWISE SPECIFIED DIMENSIONS ARE IN MILLIMETERS. DIMENSIONS IN [ ] ARE IN INCHES AND FOR CUSTOMER REFERENCE ONLY.

UNLESS OTHERWISE SPECIFIED TOLERANCES FOR MILLIMETERS ARE:  
0.5 - 8mm ± 0.20mm  
8 - 30mm ± 0.40mm  
30 - 120mm ± 0.50mm

UNLESS OTHERWISE SPECIFIED TOLERANCES FOR INCHES ARE:  
.020 - .315 = ± 0.007"  
.315 - 1.180 = ± 0.015"  
1.180 - 4.724 = ± 0.020"