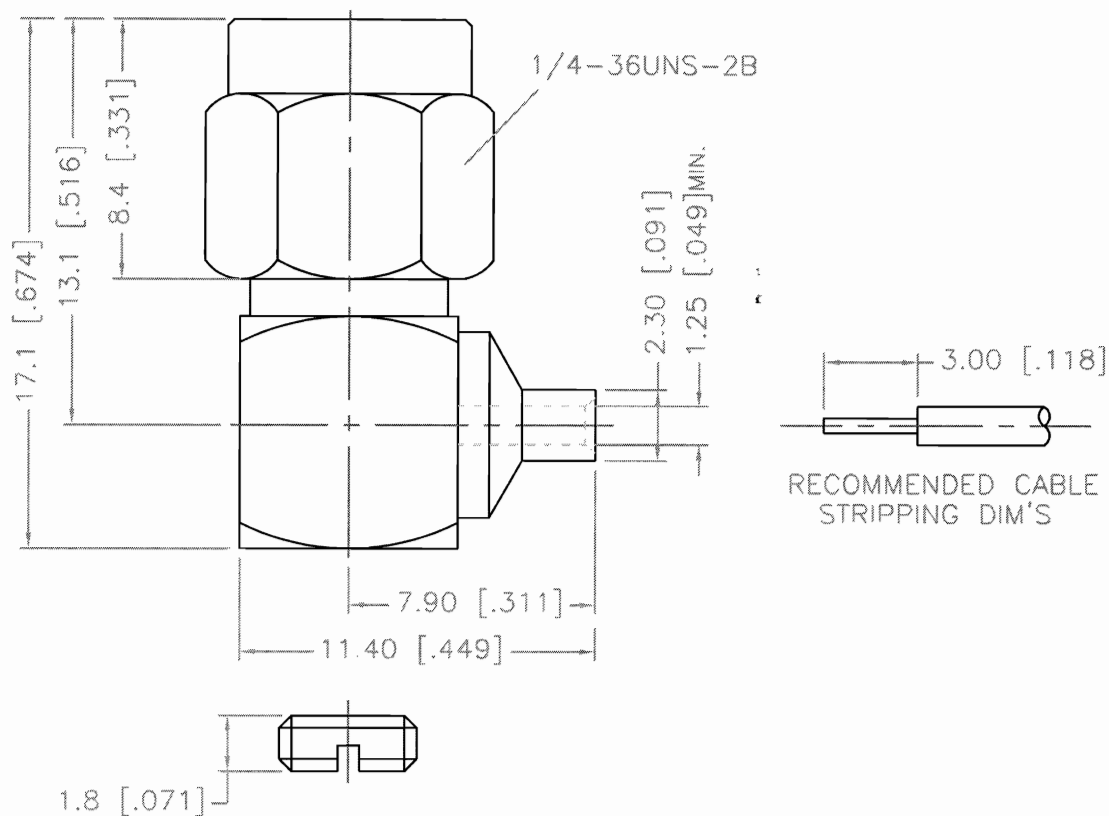



REV.	DATE	DESCRIPTION
NC	02/17/00	INITIAL RELEASE



DESCRIPTION	MATERIAL	FINISH	UNLESS OTHERWISE SPECIFIED DIMENSIONS ARE IN MILLIMETERS	APPROVALS	DATE						
1 BODY	BRASS	GOLD	DIMENSIONS IN [] ARE IN INCHES FOR CUSTOMER REFERENCE ONLY	DRAWN	G.R.S.	02/17/00	TITLE SMA R/A DIRECT SOLDER PLUG (FOR .047" SEMI RIGID CABLE)				
2 INSULATOR	TEFLON	NATURAL		CHECKED							
3 CONTACT PIN	BER COPPER	GOLD	UNLESS OTHERWISE SPECIFIED TOLERANCES FOR MILLIMETERS ARE: 0.5-6 = ± 0.2 6-30 = ± 0.4 30-120 = ± 0.6 120-315 = ± 1 315-1000 = ± 1.6 1000-2000 = ± 2.4	ISSUED			SIZE	FSCM NO.	DWG. NO.	REV.	
4 COVER	BRASS	GOLD		A	99001	132250.DWG	NC				
5 GASKET	SILICONE	RED									
6											
7											
8			DO NOT SCALE DRAWING			SCALE	NA	PART NO.	132250	SHEET	1 OF 1