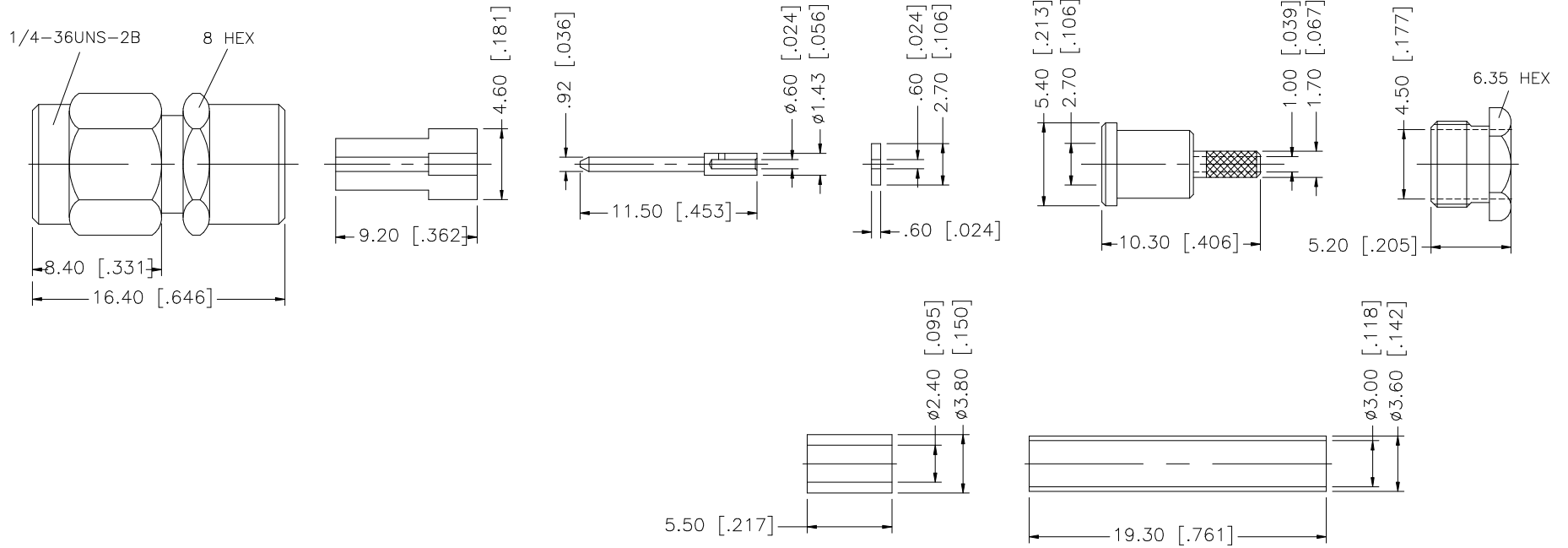
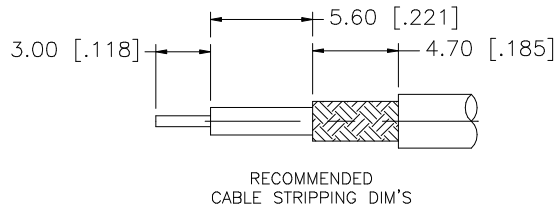


| REV. | DATE | DESCRIPTION |
|------|----------|-------------------------------|
| A | 06/25/98 | REVISIONS MADE TO CONNECTOR |
| B | 01/27/00 | REVISE INSULATOR, CONTACT PIN |
| C | 07/28/06 | UPDATE DRAWING FORMAT |



| UNLESS OTHERWISE SPECIFIED DIMENSIONS ARE IN MILLIMETERS. DIMENSIONS IN [] ARE IN INCHES AND FOR CUSTOMER REFERENCE ONLY. | | | | | APPROVALS | DATE | <h1 style="color: blue;">Amphenol Connex</h1> |
|--|-------------|----------|---------|-----|-----------|-------------------|---|
| 8 | | | | | DRAWN | G.R.S. | |
| 7 | HEAT SHRINK | | | 1 | CHECKED | | PART DESCRIPTION SMA CRIMP PLUG (FOR RG-178B/U, 196A/U, CABLE) |
| 6 | FERRULE | COPPER | GOLD | 1 | ISSUED | | |
| 5 | HEX NUT | BRASS | GOLD | 1 | SHEET | 1 OF 1 | |
| 4 | BARREL | BRASS | GOLD | 1 | CAD FILE | C:/132/132193.DWG | |
| 3 | CONTACT PIN | BRASS | GOLD | 1 | | | PART NO. |
| 2 | INSULATOR | TEFLON | NATURAL | 1 | | | 132193 |
| 1 | BODY | BRASS | GOLD | 1 | | | DWG. NO. |
| | DESCRIPTION | MATERIAL | FINISH | QTY | | | 132193.DWG |
| DO NOT SCALE DRAWING | | | | | | | REV. C |
| | | | | | | | SIZE A |
| | | | | | | | SCALE NA |

UNLESS OTHERWISE SPECIFIED DIMENSIONS ARE IN MILLIMETERS. DIMENSIONS IN [] ARE IN INCHES AND FOR CUSTOMER REFERENCE ONLY.

UNLESS OTHERWISE SPECIFIED TOLERANCES FOR MILLIMETERS ARE:
 0.5 - 8mm ± 0.20mm
 8 - 30mm ± 0.40mm
 30 - 120mm ± 0.50mm

UNLESS OTHERWISE SPECIFIED TOLERANCES FOR INCHES ARE:
 .020 - .315 = ± 0.007"
 .315 - 1.180 = ± 0.015"
 1.180 - 4.724 = ± 0.020"