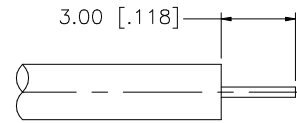
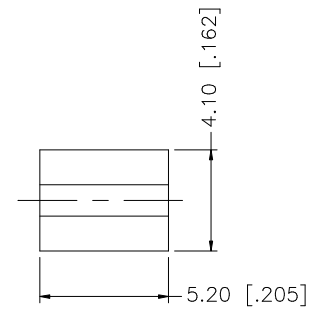
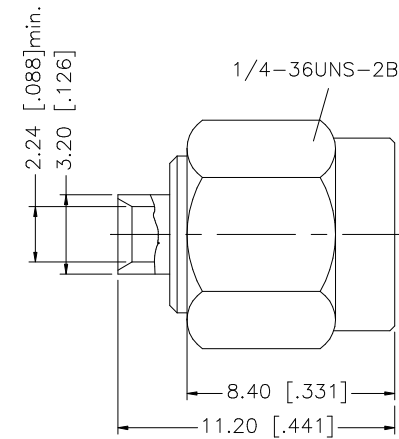
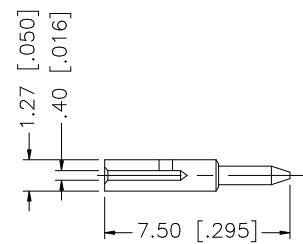
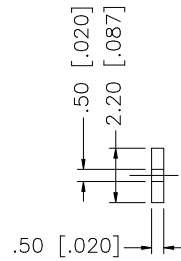
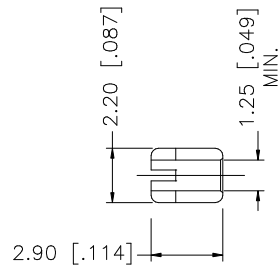


| REV. | DATE | DESCRIPTION |
|------|----------|-----------------------|
| A | 04/31/03 | UPDATE DRAWING FORMAT |



RECOMMENDED
CABLE STRIPPING DIM'S



| | | | | |
|---|---------------|----------|---------|-----|
| 8 | | | | |
| 7 | | | | |
| 6 | | | | |
| 5 | | | | |
| 4 | SOLDER BARREL | BRASS | GOLD | 1 |
| 3 | CONTACT PIN | BRASS | GOLD | 1 |
| 2 | INSULATOR | TEFLON | NATURAL | 1 |
| 1 | BODY | BRASS | GOLD | 1 |
| | DESCRIPTION | MATERIAL | FINISH | QTY |

UNLESS OTHERWISE SPECIFIED DIMENSIONS ARE IN MILLIMETERS. DIMENSIONS IN [] ARE IN INCHES AND FOR CUSTOMER REFERENCE ONLY.

UNLESS OTHERWISE SPECIFIED TOLERANCES FOR MILLIMETERS ARE:
 0.5 - 8mm ± 0.20mm
 8 - 30mm ± 0.40mm
 30 - 120mm ± 0.50mm

UNLESS OTHERWISE SPECIFIED TOLERANCES FOR INCHES ARE:
 .020 - .315 = ± 0.007"
 .315 - 1.180 = ± 0.015"
 1.180 - 4.724 = ± 0.020"

DO NOT SCALE DRAWING

| APPROVALS | DATE |
|--------------|-------------------|
| DRAWN G.R.S. | 04/31/03 |
| CHECKED | |
| ISSUED | |
| SHEET 1 OF 1 | |
| CAD FILE | C:/132/132249.DWG |

Amphenol Connex

PART DESCRIPTION
**SMA DIRECT SOLDER PLUG
 (FOR .047" SEMI-RIGID CABLE)**

PART NO.
132249

| | | | | | | | |
|----------|------------|------|---|------|---|-------|----|
| DWG. NO. | 132249.DWG | REV. | A | SIZE | A | SCALE | NA |
|----------|------------|------|---|------|---|-------|----|