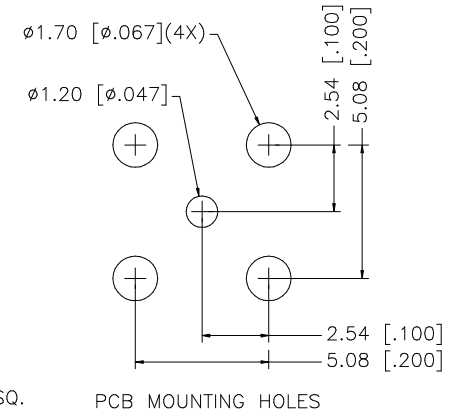
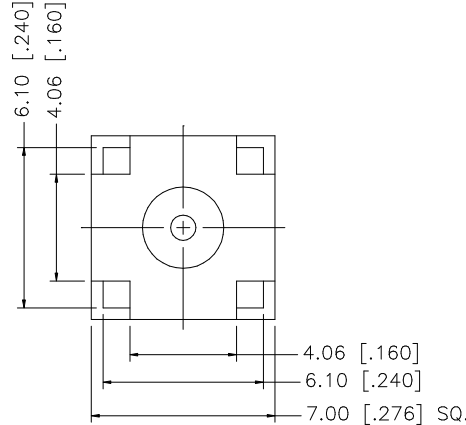
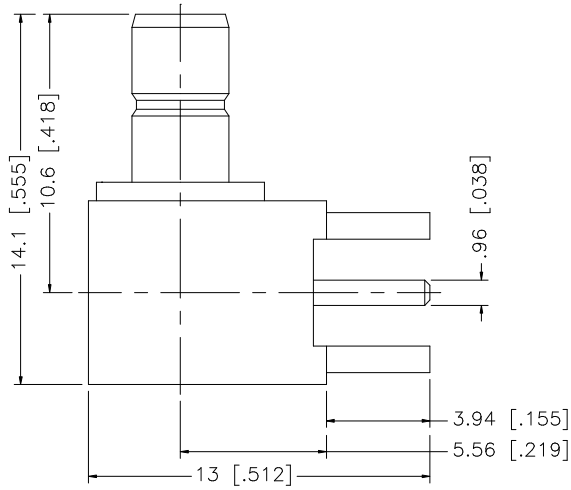


REV.	DATE	DESCRIPTION
A	06/05/03	UPDATE DRAWING FORMAT



QTY	DESCRIPTION	MATERIAL	FINISH	QTY
8				
7	HEAT SHRINK TUBE		BLACK	1
6	FERRULE	COPPER	GOLD	1
5	HEX NUT	BRASS	GOLD	1
4	LOCK WASHER	BRASS	GOLD	1
3	CONTACT PIN	PHOS. BRONZE	GOLD	1
2	INSULATOR	TEFLON	NATURAL	1
1	BODY	BRASS	GOLD	1
	DESCRIPTION	MATERIAL	FINISH	QTY

UNLESS OTHERWISE SPECIFIED DIMENSIONS ARE IN MILLIMETERS. DIMENSIONS IN [ ] ARE IN INCHES AND FOR CUSTOMER REFERENCE ONLY.

UNLESS OTHERWISE SPECIFIED TOLERANCES FOR MILLIMETERS ARE:  
0.5 - 8mm ± 0.20mm  
8 - 30mm ± 0.40mm  
30 - 120mm ± 0.50mm

UNLESS OTHERWISE SPECIFIED TOLERANCES FOR INCHES ARE:  
.020 - .315 = ± 0.007"  
.315 - 1.180 = ± 0.015"  
1.180 - 4.724 = ± 0.020"

DO NOT SCALE DRAWING

APPROVALS	DATE
DRAWN G.R.S.	06/05/03
CHECKED	
ISSUED	
SHEET 1 OF 1	
CAD FILE	C:/142/142146.DWG

**Amphenol Connex**

PART DESCRIPTION  
**SMB R/A P.C. MOUNT JACK**

PART NO.  
**142146**

DWG. NO.	142146.DWG	REV.	A	SIZE	A	SCALE	NA
----------	------------	------	---	------	---	-------	----