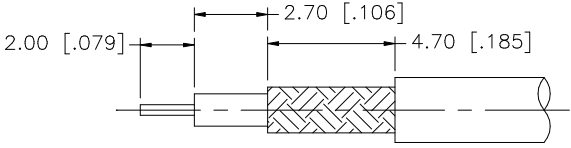
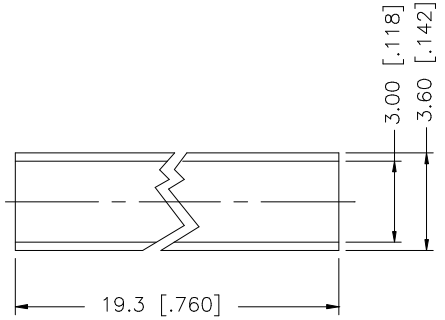
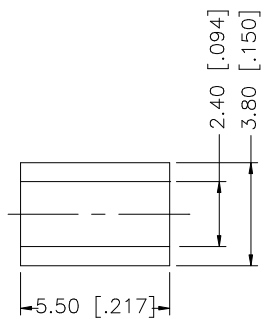
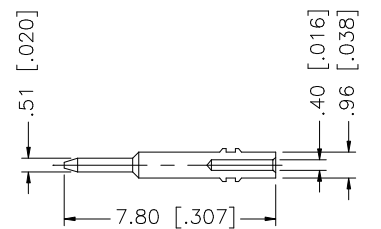
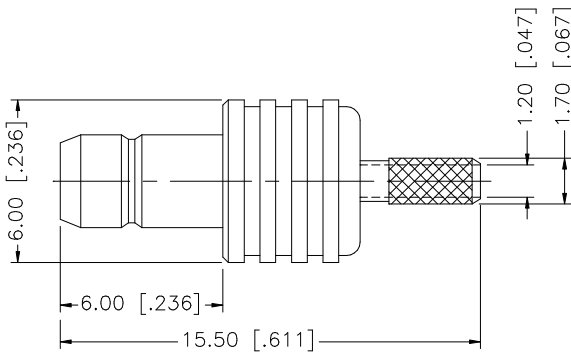


REV.	DATE	DESCRIPTION
NC	08/01/05	INITIAL RELEASE
A	06/01/06	MODIFY STRIPPING DIMENSIONS



RECOMMENDED
CABLE STRIPPING DIM'S



NOTE:
1. CRIMPED FERRULE
HEX CRIMP SIZE .128"

QTY	FINISH	MATERIAL	DESCRIPTION
1	GOLD	BRASS	BODY
1	NATURAL	TEFLON	INSULATOR
1	GOLD	BRASS	CONTACT PIN
1	GOLD	COPPER	FERRULE
1			HEAT SHRINK TUBE

UNLESS OTHERWISE SPECIFIED DIMENSIONS ARE IN MILLIMETERS. DIMENSIONS IN [] ARE IN INCHES AND FOR CUSTOMER REFERENCE ONLY.

UNLESS OTHERWISE SPECIFIED TOLERANCES FOR MILLIMETERS ARE:
0.5 - 8mm ± 0.20mm
8 - 30mm ± 0.40mm
30 - 120mm ± 0.50mm

UNLESS OTHERWISE SPECIFIED TOLERANCES FOR INCHES ARE:
.020 - .315 = ± 0.007"
.315 - 1.180 = ± 0.015"
1.180 - 4.724 = ± 0.020"

DO NOT SCALE DRAWING

APPROVALS	DATE
DRAWN G.R.S.	06/01/06
CHECKED	
ISSUED	
SHEET 1 OF 1	
CAD FILE C:/142/142241.DWG	

Amphenol Connex

PART DESCRIPTION
**SMB CRIMP JACK
(FOR RG-178B/U, 196A/U CABLE)**

PART NO.
142241

DWG. NO. 142241.DWG	REV. A	SIZE A	SCALE NA
---------------------	--------	--------	----------