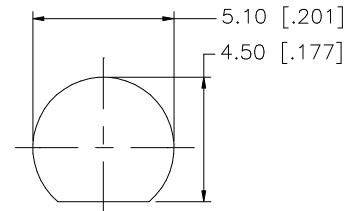
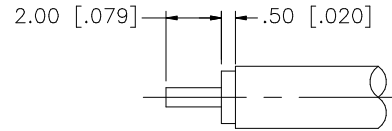


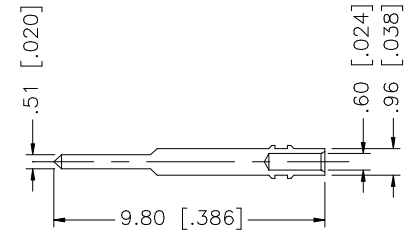
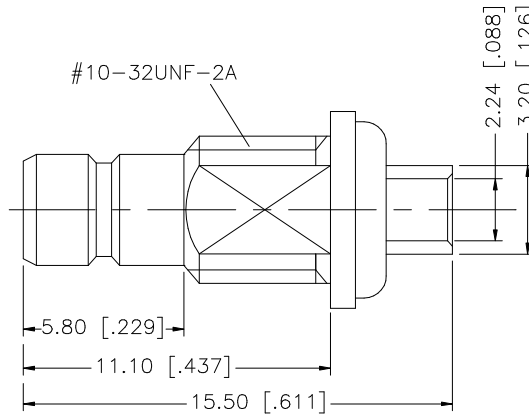
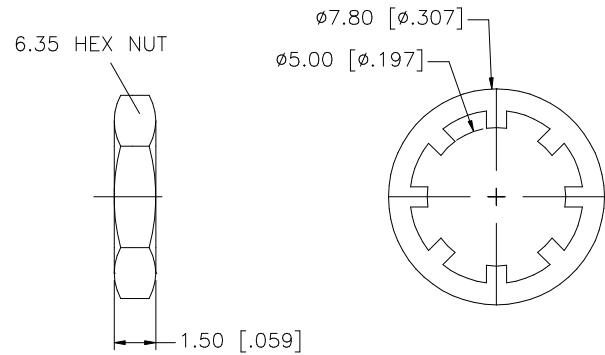
REV.	DATE	DESCRIPTION
A	01/25/04	UPDATE DRAWING FORMAT



RECOMMENDED MOUNTING HOLE



RECOMMENDED CABLE STRIPPING DIM'S



NOTE:

- CONTACT PIN TO SOLDER OR CRIMPED CONTACT PIN SQ. CRIMP SIZE 0.7(mm)
- MAX. PANEL THICKNESS = 2.4mm

DESCRIPTION	MATERIAL	FINISH	QTY	DO NOT SCALE DRAWING	APPROVALS	DATE	Amphenol Connex								
8					DRAWN	G.R.S.	01/25/04	PART DESCRIPTION SMB BULKHEAD DIRECT SOLDER JACK (FOR 0.85", 0.86" CABLE)							
7					CHECKED										
6					ISSUED			PART NO. 142301							
5	HEX NUT	BRASS	GOLD	1	SHEET	1 OF 1									
4	LOCK WASHER	BRASS	GOLD	1	CAD FILE			DWG. NO.	142301.DWG	REV.	A	SIZE	A	SCALE	NA
3	CONTACT PIN	BRASS	GOLD	1	C:/142/142301.DWG										
2	INSULATOR	TEFLON	NATURAL	2											
1	BODY	BRASS	GOLD	1											

UNLESS OTHERWISE SPECIFIED DIMENSIONS ARE IN MILLIMETERS. DIMENSIONS IN [ ] ARE IN INCHES AND FOR CUSTOMER REFERENCE ONLY.

UNLESS OTHERWISE SPECIFIED TOLERANCES FOR MILLIMETERS ARE:  
0.5 - 8mm ± 0.20mm  
8 - 30mm ± 0.40mm  
30 - 120mm ± 0.50mm

UNLESS OTHERWISE SPECIFIED TOLERANCES FOR INCHES ARE:  
.020 - .315 = ± 0.007"  
.315 - 1.180 = ± 0.015"  
1.180 - 4.724 = ± 0.020"