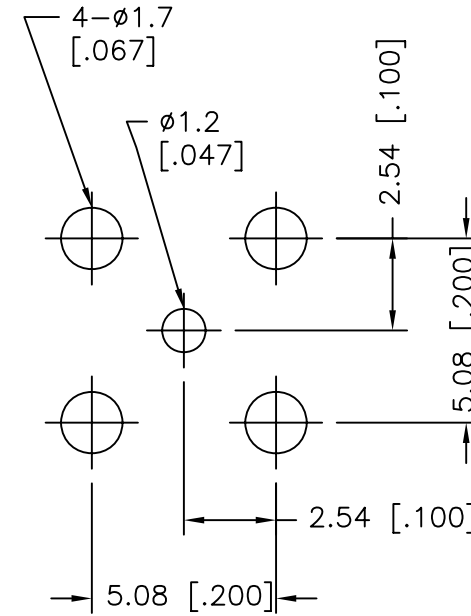
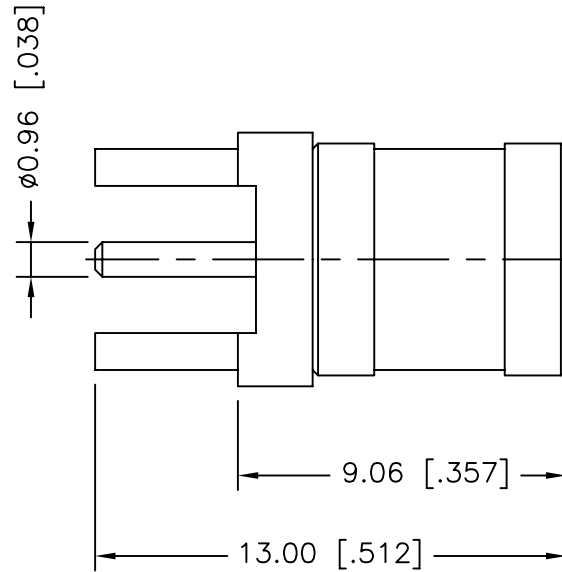
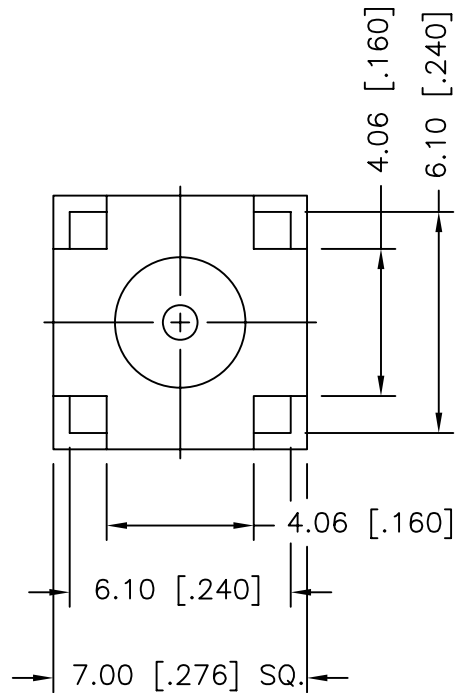


REV.	DATE	ECR NO.	DESCRIPTION
NC	10/29/96	XXXXXX	INITIAL RELEASE
A	05/29/07	XXXXXX	UPDATE DRAWING FORMAT
B	12/06/11	2264	ADD NOTES AND ADD PCB MOUNTING HOLE



PCB MOUNTING HOLE

1. FREQUENCY RANGE: DC-4 GHz
2. VSWR: 1.3 MAX.
3. DIELECTRIC WITHSTANDING VOLTAGE: 1000 VRMS, MIN.

QTY	DESCRIPTION	MATERIAL	FINISH
1	SHELL	BRASS	GOLD
1	BODY	BRASS	GOLD
1	INSULATOR	PTFE	NATURAL
1	CONTACT PIN	BERYLLIUM COPPER	GOLD
1	RETAINER RING	BERYLLIUM COPPER	NATURAL

UNLESS OTHERWISE SPECIFIED DIMENSIONS ARE IN MILLIMETERS. DIMENSIONS IN [ ] ARE IN INCHES AND FOR CUSTOMER REFERENCE ONLY.

UNLESS OTHERWISE SPECIFIED TOLERANCES FOR MILLIMETERS ARE:  
0.5 - 8mm  $\pm$  0.20mm  
8 - 30mm  $\pm$  0.40mm  
30 - 120mm  $\pm$  0.50mm

UNLESS OTHERWISE SPECIFIED TOLERANCES FOR INCHES ARE:  
.020 - .315  $\pm$  0.007"  
.315 - 1.180  $\pm$  0.015"  
1.180 - 4.724  $\pm$  0.020"

DO NOT SCALE DRAWING

APPROVALS	DATE
DRAWN M.ZHANG	12/06/11
CHECKED	
ISSUED	
SHEET 1 OF 1	
CAD FILE C:/CONNEX/142134.DWG	

Amphenol Connex			
PART DESCRIPTION			
STRAIGHT SMB PLUG FOR P.C. BOARD			
PART NO. 142134			
DWG. NO. 142134.DWG	REV. B	SIZE A	SCALE NA